

温岭市三水机电有限公司版权所有，翻版必究。
Wenling Sanmu Machine Electricity Co.,Ltd. All rights reserved.

采用生态纸印刷。
Environment-friendly paper print.



温岭市三水机电有限公司

Wenling Sanmu Machine Electricity Co.,Ltd.

地址：中国浙江省温岭市城南镇中心工业区
Add: The Central Industry Zone, Chengnan Town,
Wenling city, Zhejiang Province, China
电话(Tel): +86-576-86268888 86268019
+86-576-86268058 86268098
传真(Fax): +86-576-86268020
网址(Website): <http://www.cnsanmu.com>
邮箱(E-mail): info1@cnsanmu.com

Version: SM-16B



企业简介

温岭市三木机电有限公司是从事电机和风机研究、开发、制造的外向型企业，地处风景秀丽的东海之滨—浙江温岭市，现有员工200多人，高级技术人员20多人，公司已有20年的生产历史。公司携手国内著名高校成立“联合研究中心”，并荣获“省级中小企业技术中心”和“高新技术研究开发中心”称号，具有齐全的检验检测设备，拥有先进的生产流水线，并有一套完整的生产控制程序和检测程序，严格按ISO9001:2008质量管理体系运行，已经相继通过了CCC、CE、ROHS、ETL认证。

本着严谨的质量方针和全新的经营理念，三木机电不断提升和完善技术生产水平，始终贯彻“规范管理、恪守诚信、追求卓越、务实创新”的经营理念，以“小而精是我们的特色，高档定位是我们的追求”为导向，始终遵循品质第一，信誉第一的方针，热忱的售后服务让用户放心，公司不断加大新产品开发力度，努力提高员工素质，增强企业的凝聚力，从而使公司得到了快速的发展。

公司专业生产新型外转子电机、外转子轴流风机、离心风机、管道风机、冷凝器风机、冷风机等系列产品。并与欧洲高端专业电机制造商协作，产品远销欧洲、美洲、中东、东南亚等世界各地，在国内外享有较高的信誉和市场。

三木机电愿与海内外同仁携手共创通风、制冷行业辉煌明天！

Brief introduction

Wenling Sanmu Machine Electricity Co., Ltd. is engaged in the research, development, motor and fans manufacturing export-oriented enterprise, located in the beautiful coast of the east China sea-zhejiang wenling city, the existing staff more than 200 people, senior technical personnel more than 20 people, the company has 20 years of production history. Company hand in hand with the domestic famous universities set up a "Joint Research Center", and have gained a glorious the title of "Provincial Small and Medium-sized Enterprise Technology Center" and "High and New Technology Research and Development Center", has the complete testing equipment, has advanced production lines, and a complete set of production control program and testing, in strict accordance with ISO9001:2008 quality management system operation, have successively passed the CCC, CE, ROHS, ETL certificates.

In line with the rigorous quality policy and the brand-new management idea, sunwood electromechanical enhance and improve the technical level of production and always implement the "norm management, abide by integrity, the pursuit of excellence, pragmatic innovation" business philosophy, to "small and exquisite is our specialty, high-end positioning is our pursuit" as the guidance, always follow the quality first, reputation first, Warmly after-sales service allows users to rest assured, the company continuously strengthen new product development, efforts to improve staff quality, enhance the cohesion of the enterprise, thus make the company get the fast development.

Company speialed in the production of the new external rotor motors, external rotor axial-flow fans, centrifugal fans, condenser fans, air cooler, condenser pipe and other products. And collaboration with the European high-end professional motor manufacturers, products are exported to Europe, America, the Middle East, South-East Asia and other parts of the world, both at home and abroad enjoys a high reputation and market.

Sanmu Machine is willing to work with colleagues at home and abroad to join hands in creating a ventilation, refrigeration industry brilliant tomorrow!

目录 DIRECTORY

注：技术参数如有改动，恕不另行通知！
Specifications are subject to change without notice!

ECF(K)系列

ECF(K)6E300-PZA5BC0 ECF(K)6E300-PZA5SC0	07	ECF(K)6E315-PZB5BC0 ECF(K)6E315-PZB5SC0	08
ECF(K)6E350-PZB5BC1 ECF(K)6E350-PZB5SC1	09	ECF(K)6E400-PZB4BC0 ECF(K)6E400-PZB4SC0	10
ECF(K)6E450-PZB5BC0 ECF(K)6E450-PZB5SC0	11	ECF(K)8E450-PZB6BC0 ECF(K)8E450-PZB6SC0	12
ECF(K)8E500-PZB5BC0 ECF(K)8E500-PZB5SC0	13	ECF(K)8E550-PZB5BC0 ECF(K)8E550-PZB5SC0	14
ECF(K)8E600-PZB5BC0 ECF(K)8E600-PZB5SC0	15	ECF(K)8E630-PZB5BC0 ECF(K)8E630-PZB5SC0	16
ECF(K)8D710-PZB7BC0 ECF(K)8D710-PZB7SC0	17	ECF(K)8D800-PZB7BC0 ECF(K)8D800-PZB7SC0	18
ECF(K)8D910-PZB7BC0 ECF(K)8D910-PZB7SC0	19	选配件一 Accessory 1 风筒系列 Wind tube series 选配件二 Accessory 2 方盘系列 Square plate series	20
选配件三 Accessory 3 网罩系列 Guard grilles series	21		

EC风机简介 EC Fans introduction

EC(Electronically Commutation: 电子换向)电机为内置直流变频驱动器的三相交流永磁同步外转子电机，因其高效低噪被认为是终极风机节能技术。

EC(Electronically Commutation)Motors, as built-in DC inverter driver three-phase AC external rotor permanent magnet synchronous motors, its efficiency and low noise is considered to be the ultimate fan energy technologies.

EC Axial Fan



EC Centrifugal Fan

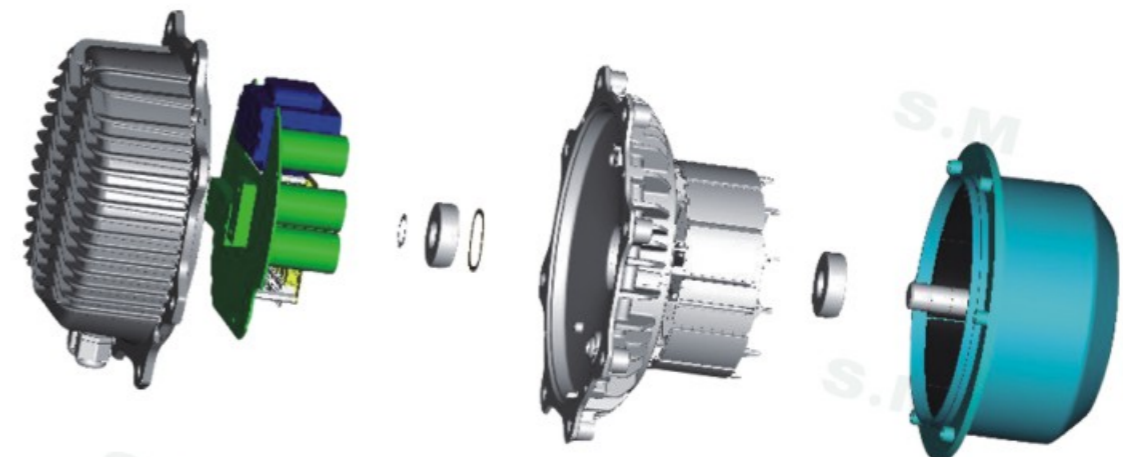
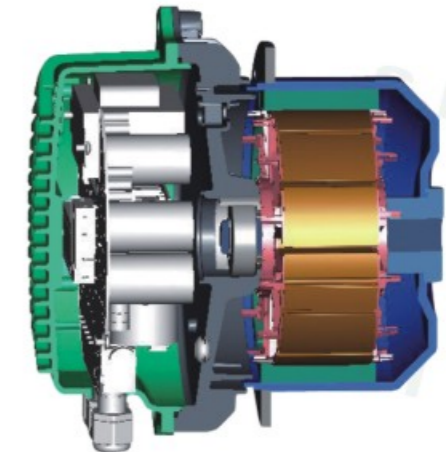


EC风机控制器核心技术

1. 无传感器矢量控制软件；
2. 高性能电力电子电路；
3. 安全和可靠性设计(标准，认证)；
4. 嵌入式设计。

Core technology of EC Fan controller

1. Sensorless vector control software;
2. High-performance power electronic circuits;
3. Security and reliability design (Standards, certification);
4. Embedded Design.



EC风机控制器基本功能和性能

1. 无传感器永磁电机驱动;
2. 宽电压范围输入, 单相110~270V, 三相250V~480V, 50/60Hz;
3. PFC(功率因数校正): 无源和有源(IEC61000-3-2);
4. 软启动, 加速度可调, 无级变速;
5. 设计工作温度范围: -30~60摄氏度(器件最低按照-40~85摄氏度选择);
6. 保护功能: 过压, 欠压, 过温, 过流, 缺相, 通信故障...
7. 基本接口: 0~10V/PWM, RS485/Modbus, 4~20mA...
8. 基本参数现场可编程: 最高转速, 最低转速, 最大功率, 最大电流, 共振避免等;
9. 恒风压控制功能;
10. 嵌入式设计;
11. EMC。

The basic functions and performances of EC fan controller

1. Sensorless permanent magnet motor drive;
2. Wide input voltage range, single-phase 110~270V, three-phase 250V~480V, 50/60Hz;
3. PFC(Power factor correction): Passive and active(IEC61000-3-2);
4. Soft start, adjustable acceleration, CVT;
5. Design operating temperature range: -30 ~ 60 degrees of minimum selection (The device in accordance with -40~ 85 degrees);
6. Protection: Overvoltage, undervoltage, overtemperature, overcurrent, phase loss detection, communication failures...
7. The basic interface: 0~10V/PWM, RS485/Modbus, 4~20mA...
8. The basic parameters of field-programmable: Maximum speed, minimum speed, maximum power, maximum current, resonance avoid...;
9. Constant air pressure controlling function;
10. Embedded Design;
11. EMC(Electro Magnetic Compatibility).

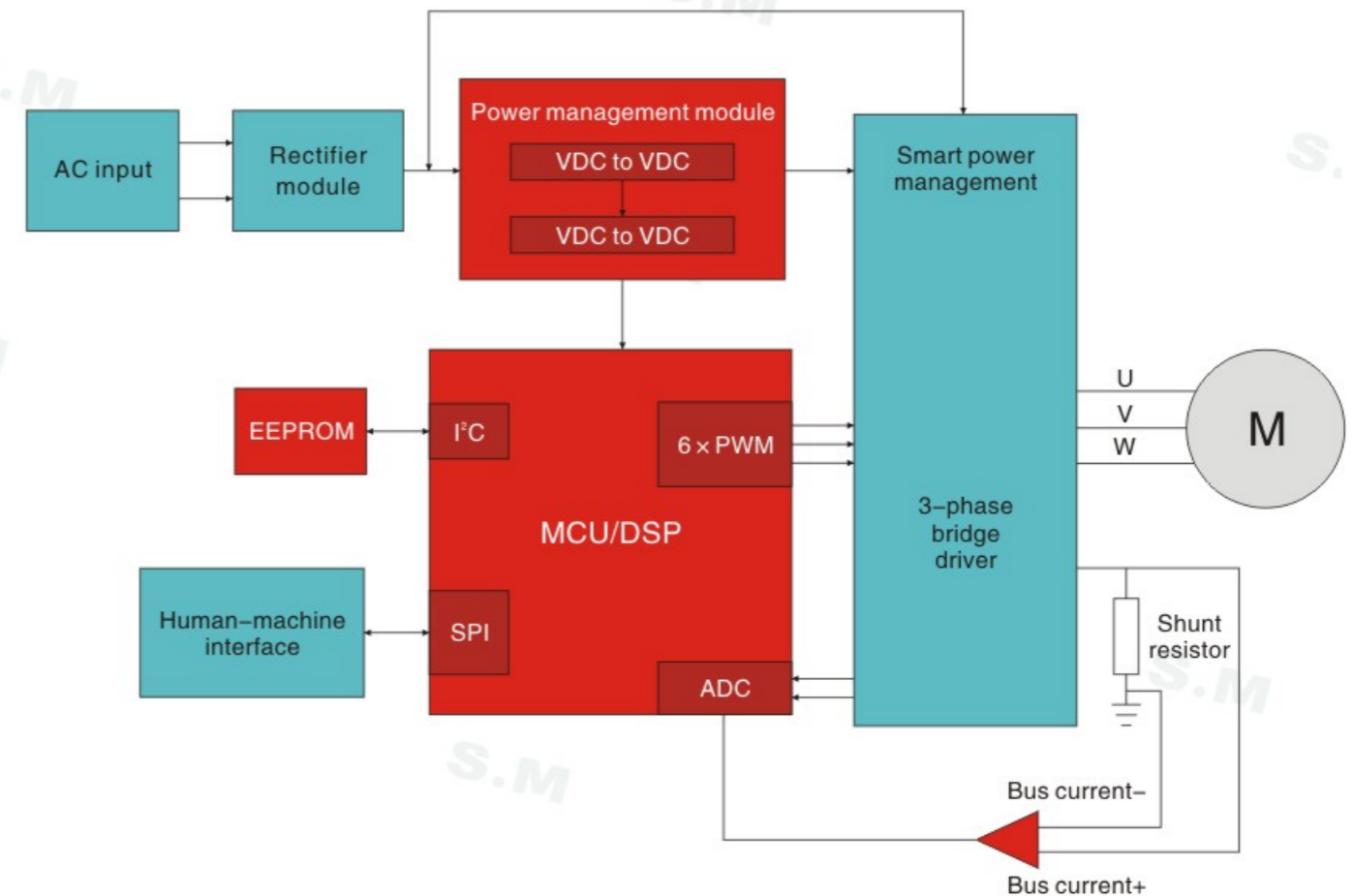
EC风机控制器产品系列(交流输入)

1. 单相AC220V, 230V输入; (110~270V)
PFC(功率因数校正)
 - 无源;
 - 有源;
 功率范围:
 - 100W;
 - 250W;
 - 550W;
 - 750W;
 - 1.1kW;
 接口:
 - 0~10V/PWM;
 - RS485/Modbus;
 - Tacho;
2. 三相AC380V, 440V输入; (250V~480V)
PFC(功率因数校正):
 - 无源;
 - 功率范围:
 - 1.7kW;
 - 3.1kW;
 接口:
 - 0~10V/PWM输入
 - RS485/Modbus
 - Tacho
 - 继电器控制输出
 - 4~20mA
 - 0~10V输出
 - IO 输入

Controllers of EC fans

1. Single-phase AC220V, 230V input;(110~270V)
PFC(Power factor correction)
 - Passive;
 - Active;
 Power Range:
 - 100W;
 - 250W;
 - 550W;
 - 750W;
 - 1.1kW;
 Interface:
 - 0~10V/PWM;
 - RS485/Modbus;
 - Tacho;
2. Three-phase AC380V, 440V input;(250V~480V)
PFC(Power Factor Correction):
 - Passive;
 - Power Range:
 - 1.7kW;
 - 3.1kW;
 Interface:
 - 0~10V/PWM Input
 - RS485/Modbus
 - Tacho
 - Relay Control Output
 - 4~20mA
 - 0~10V Output
 - IO Input

EC风机驱动器原理框图 Block diagram of the EC fans drive

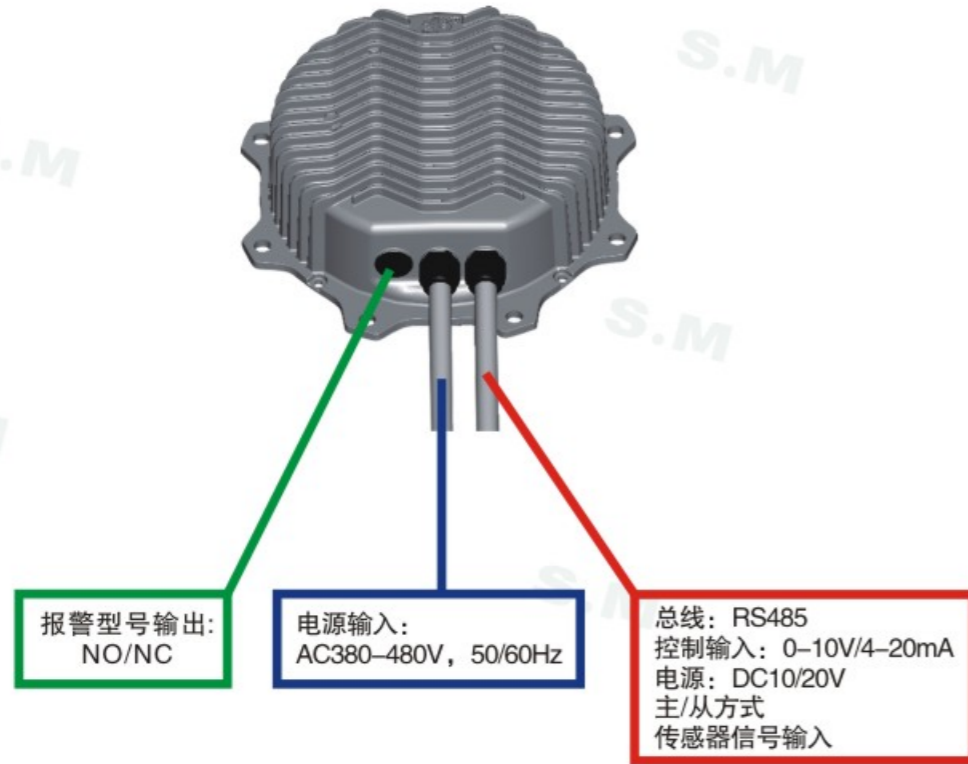


EC风机控制器接口技术发展

1. 配上必要的PC软件, 我们可以更加方便的调试, 配置, 保养, 故障诊断和维护;
2. 提供集中控制器与智能手机连接;
3. 主从方式控制, 一台主机可以控制多台从机;
4. 可以实现远程控制监控, 真正的智能化产品: 转速、电流、电压、功率、温度、压力、运行状态、报警信息。

Technology Development of EC Fans Controller Interface

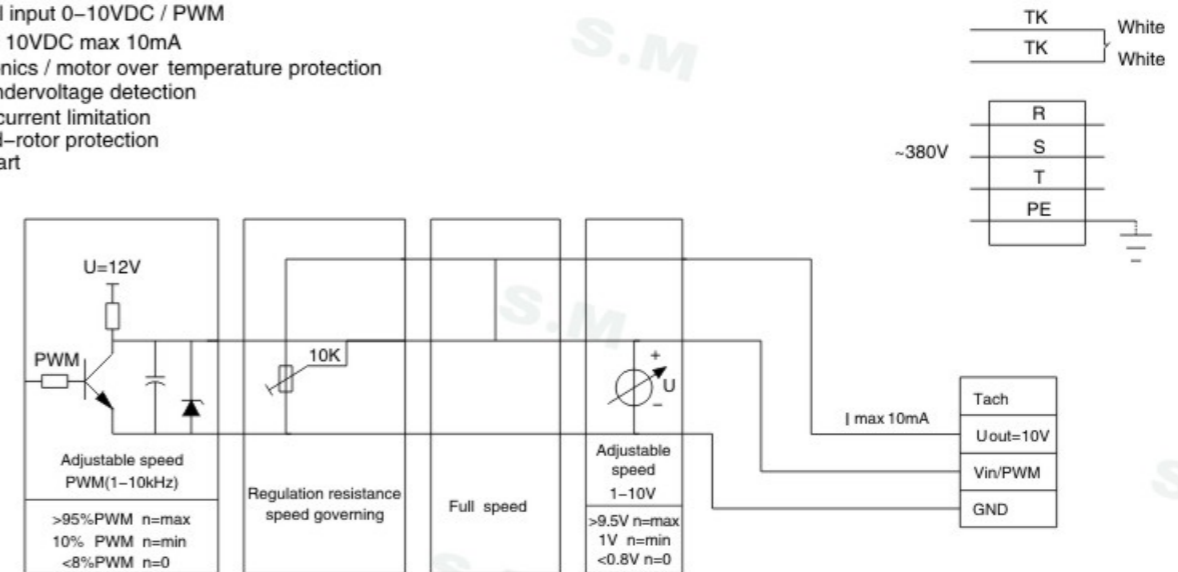
1. Coupled with the necessary PC software, we can more easily debug, configurate, maintain and diagnose faults.
2. Provide centralized controller connected with smartphones.
3. Master-slave control, a host can control multiple slaves.
4. Remote control monitoring, real intelligent products: Speed, Current, Voltage, Power, Temperature, Pressure, Operating status, Alarm information.



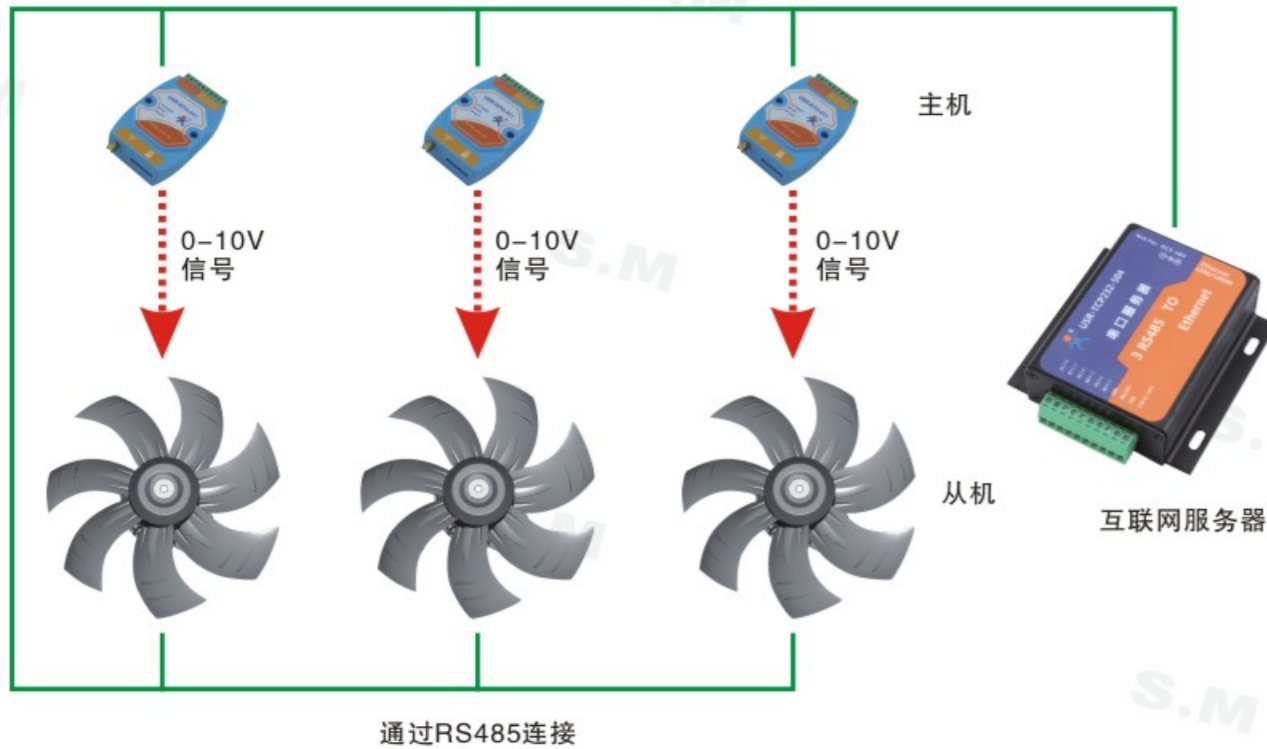
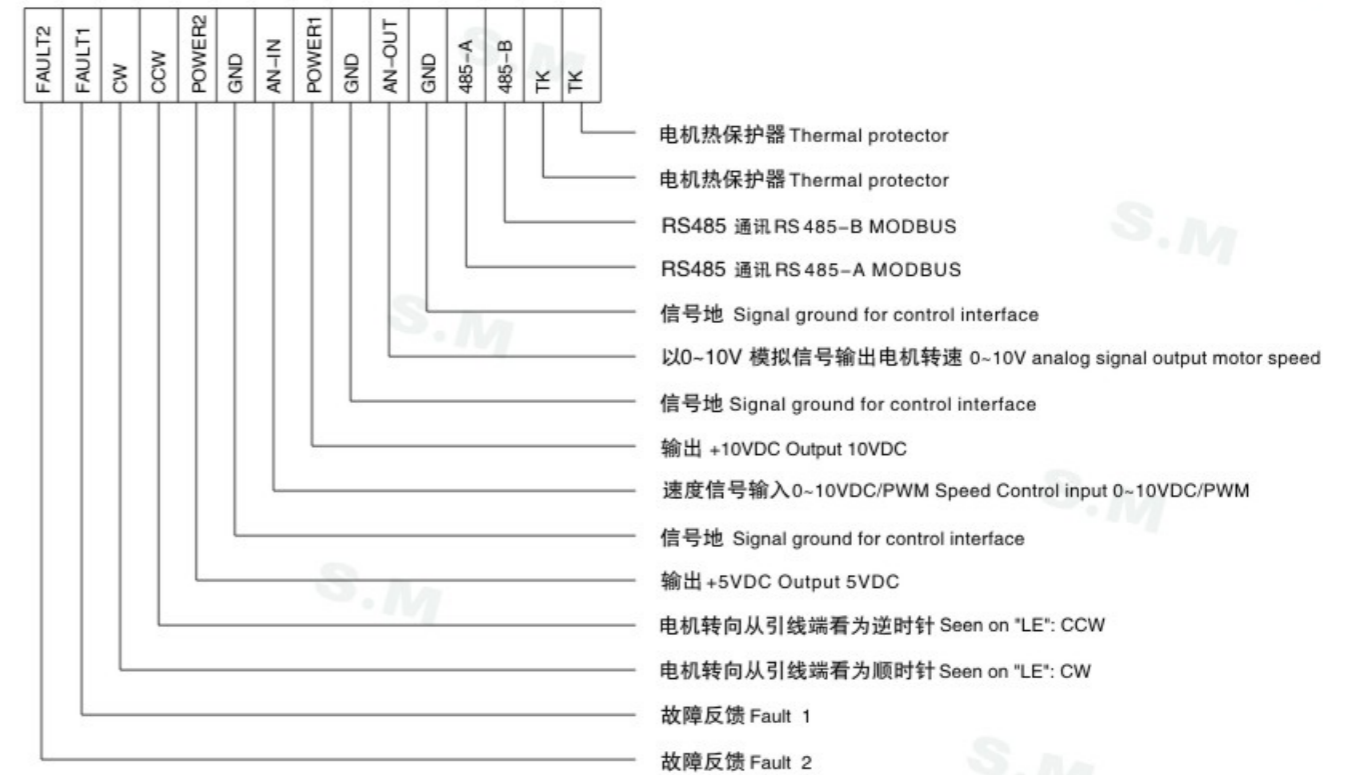
Electrical connections EC

Technical features

- Control input 0-10VDC / PWM
- Output 10VDC max 10mA
- Electronics / motor over temperature protection
- Line undervoltage detection
- Motor current limitation
- Locked-rotor protection
- Soft start
- PFC



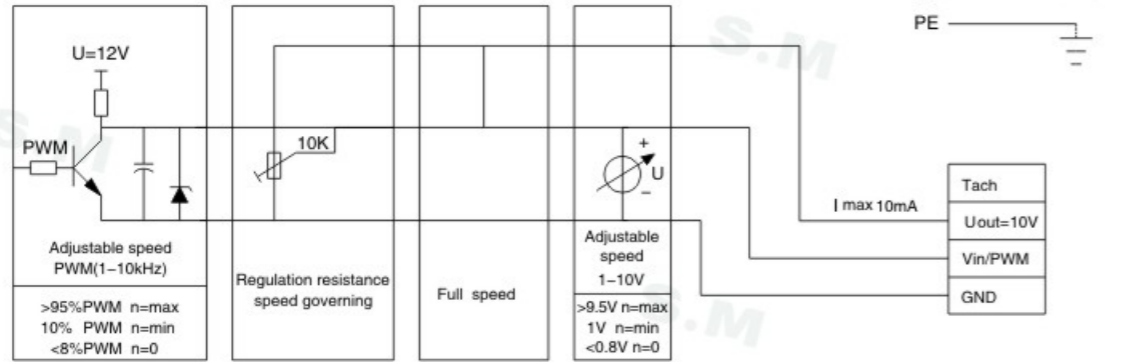
端口说明 Port description



Electrical connections EC

Technical features

- Control input 0-10VDC / PWM
- Output 10VDC max 10mA
- Electronics / motor overtemperature protection
- Line undervoltage detection
- Motor current limitation
- Locked-rotor protection
- Soft start
- PFC

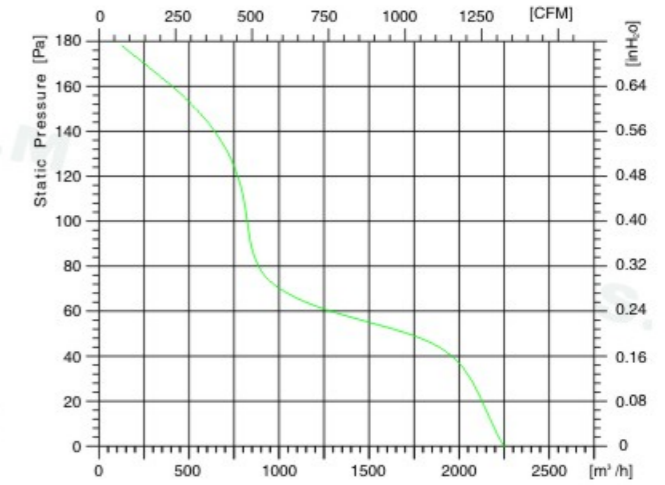


EC 300



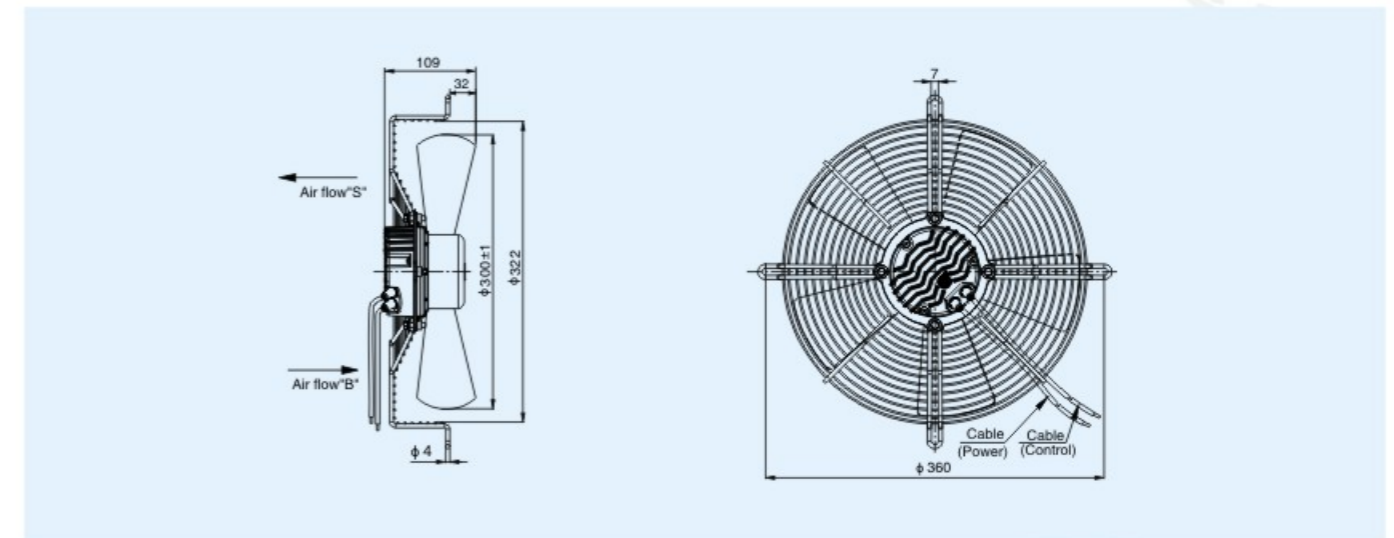
- Material: Guard grille: Steel, coated in black
- Blades: steel
- Rotor: Coated in black
- Electronics enclosure: Die-cast aluminium, Number of blades: 5
- Direction of rotation: "B": CCW, "S": CW, seen on LE
- Type of protection: IP 54
- Insulation class: "F"
- Mounting position: Shaft horizontal or rotor on bottom; rotor on top on request
- Condensate discharges: Rotor-side
- Mode of operation: Continuous operation (S1)
- Bearings: Maintenance-free ball bearings
- Speed control: 0-10V, PWM, VSP
- EMC: acc.to EN55014-1 EN55014-2; EN61000-3-2 EN61000-3-3
- Product conforming to standards: EN60034-1 EN60335-1 EN62233 CE

Flow Rate Curve



Pst (Pa)	P1 (W)	I (A)	n (r/min)
20	96	0.76	1600
60	84	0.65	1600
100	106	0.83	1600

型号说明 Model description



技术参数 Technical Parameter

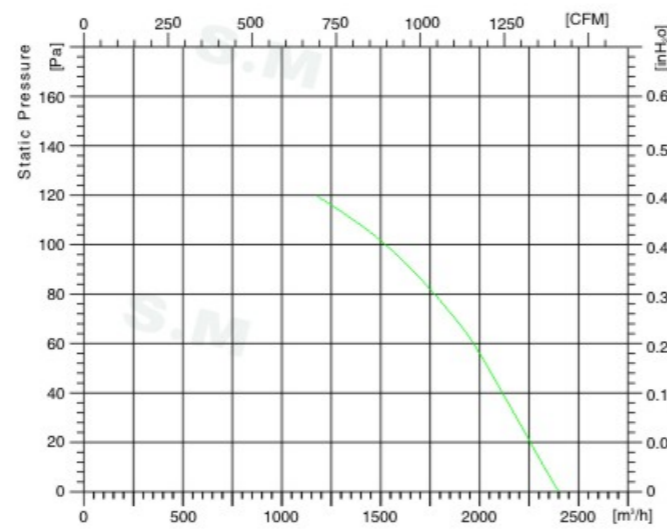
型号 Model	电压 Voltage (VAC)	频率 Frequency (Hz)	输入功率 Input Power (W)	电流 Current (A)	转速 Speed (r/min)	噪音 Noise [dB(A)]	允许环境温度 Perm. amb. temp (°C)	重量 Weight (kg)
ECF(K)6E300-PZA5BC0 ECF(K)6E300-PZA5SC0	230	50/60	100	0.85	1600	63	-25-50	2.8

EC 315



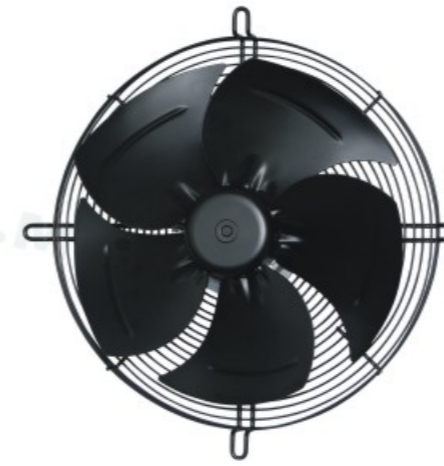
- Material: Guard grille: Steel, coated in black
- Blades: steel
- Rotor: Coated in black
- Electronics enclosure: Die-cast aluminium,
- Number of blades: 5
- Direction of rotation: "B": CCW, "S": CW, seen on LE
- Type of protection: IP 54
- Insulation class: "F"
- Mounting position: Shaft horizontal or rotor on bottom; rotor on top on request
- Condensate discharges: Rotor-side
- Mode of operation: Continuous operation (S1)
- Bearings: Maintenance-free ball bearings
- Speed control: 0-10V, PWM, VSP
- EMC: acc.to EN55014-1 EN55014-2:EN61000-3-2 EN61000-3-3
- Product conforming to standards: EN60034-1 EN60335-1 EN62233 CE

Flow Rate Curve



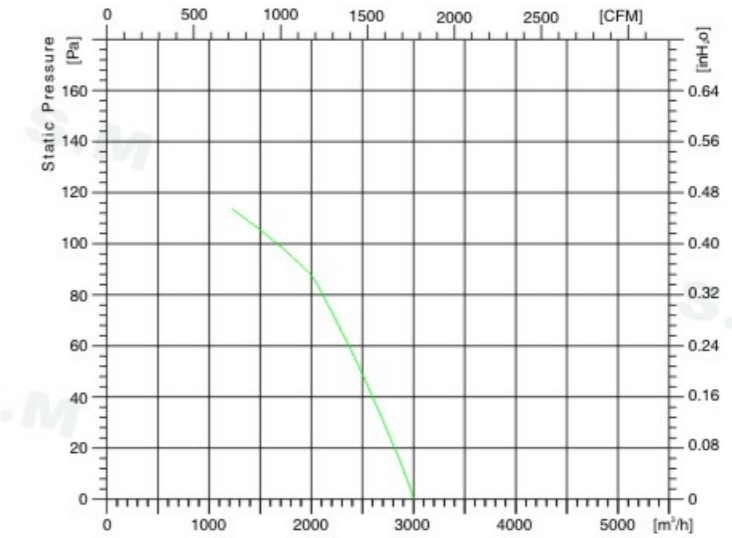
Pst (Pa)	P1 (W)	I (A)	n (r/min)
20	98	0.79	1800
60	109	0.85	1800
90	120	0.94	1800

EC 350

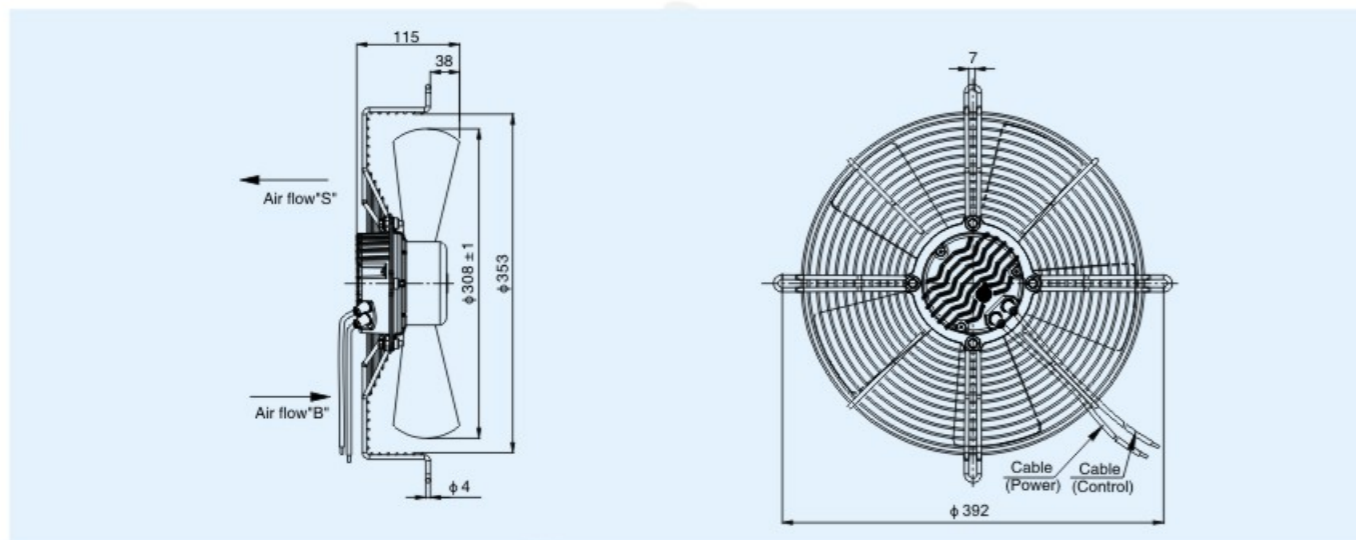


- Material: Guard grille: Steel, coated in black
- Blades: steel
- Rotor: Coated in black
- Electronics enclosure: Die-cast aluminium,
- Number of blades: 5
- Direction of rotation: "B": CCW, "S": CW, seen on LE
- Type of protection: IP 54
- Insulation class: "F"
- Mounting position: Shaft horizontal or rotor on bottom; rotor on top on request
- Condensate discharges: Rotor-side
- Mode of operation: Continuous operation (S1)
- Bearings: Maintenance-free ball bearings
- Speed control: 0-10V, PWM, VSP
- EMC: acc.to EN55014-1 EN55014-2:EN61000-3-2 EN61000-3-3
- Product conforming to standards: EN60034-1 EN60335-1 EN62233 CE

Flow Rate Curve

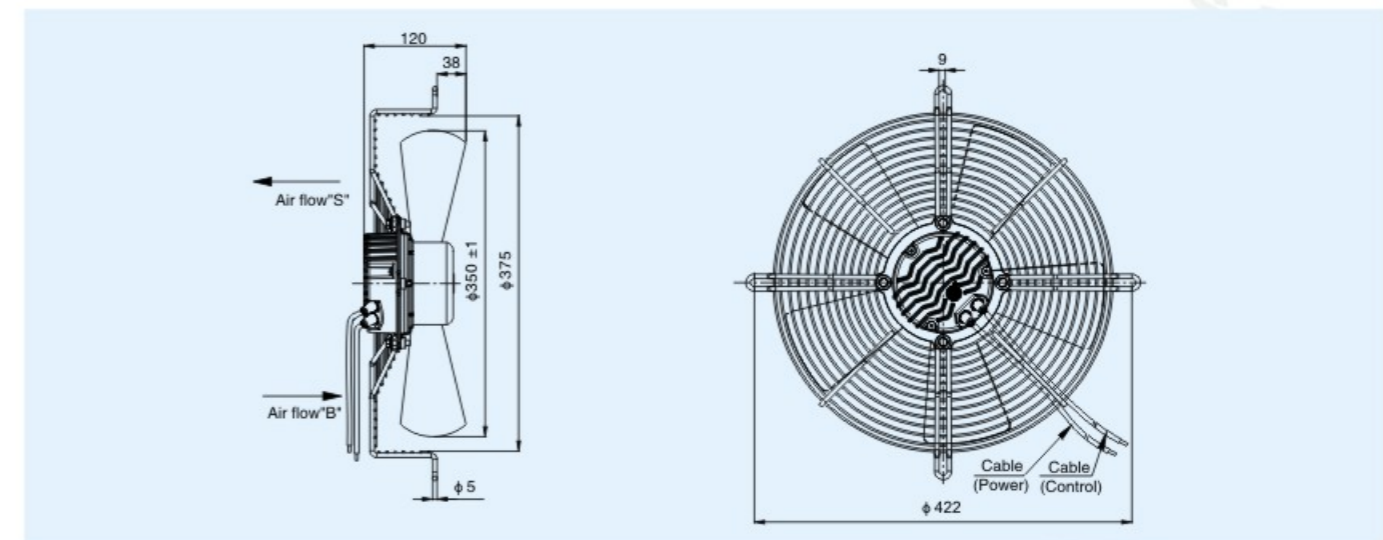


Pst (Pa)	P1 (W)	I (A)	n (r/min)	Actual EFF. (%)	Erp. 2015 (%)
30	120	0.99	1600		
60	139	1.12	1600		
90	158	1.26	1550	31.5	28.5



技术参数 Technical Parameter

型号 Model	电压 Voltage (VAC)	频率 Frequency (Hz)	输入功率 Input Power (W)	电流 Current (A)	转速 Speed (r/min)	噪音 Noise [dB(A)]	允许环境温度 Perm.amb. temp.(°C)	重量 Weight (kg)
ECF(K)6E315-PZB5BC0 ECF(K)6E315-PZB5SC0	230	50/60	120	0.95	1800	65	-25-50	3.1



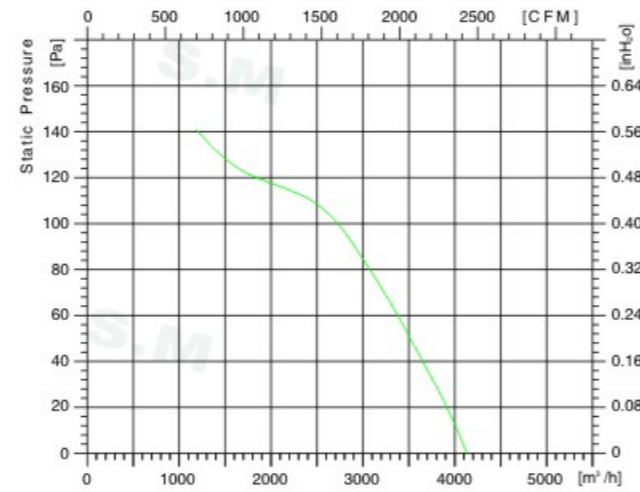
技术参数 Technical Parameter

型号 Model	电压 Voltage (VAC)	频率 Frequency (Hz)	输入功率 Input Power (W)	电流 Current (A)	转速 Speed (r/min)	噪音 Noise [dB(A)]	允许环境温度 Perm.amb. temp.(°C)	重量 Weight (kg)
ECF(K)6E350-PZB5BC1 ECF(K)6E350-PZB5SC1	230	50/60	150	1.27	1600	66	-25-50	3.8

EC 400



Flow Rate Curve



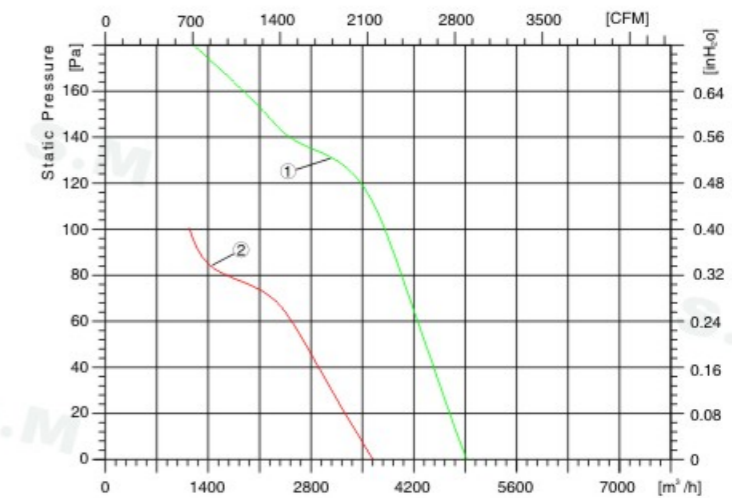
- Material: Guard grille: Steel, coated in black
- Blades: steel
- Rotor: Coated in black
- Electronics enclosure: Die-cast aluminium,
- Number of blades: 4
- Direction of rotation: "B": CCW, "S": CW, seen on LE
- Type of protection: IP 54
- Insulation class: "F"
- Mounting position: Shaft horizontal or rotor on bottom; rotor on top on request
- Condensate discharges: Rotor-side
- Mode of operation: Continuous operation (S1)
- Bearings: Maintenance-free ball bearings
- Speed control: 0-10V, PWM, VSP
- EMC: acc.to EN55014-1 EN55014-2; EN61000-3-2 EN61000-3-3
- Product conforming to standards: EN60034-1 EN60335-1 EN62233 CE

Pst (Pa)	P1 (W)	I (A)	n (r/min)	Actual EFF. (%)	Erp. 2015 (%)
20	132	1.13	1410		
80	165	1.44	1409	36.6	28.9
120	192	1.66	1408		

EC 450

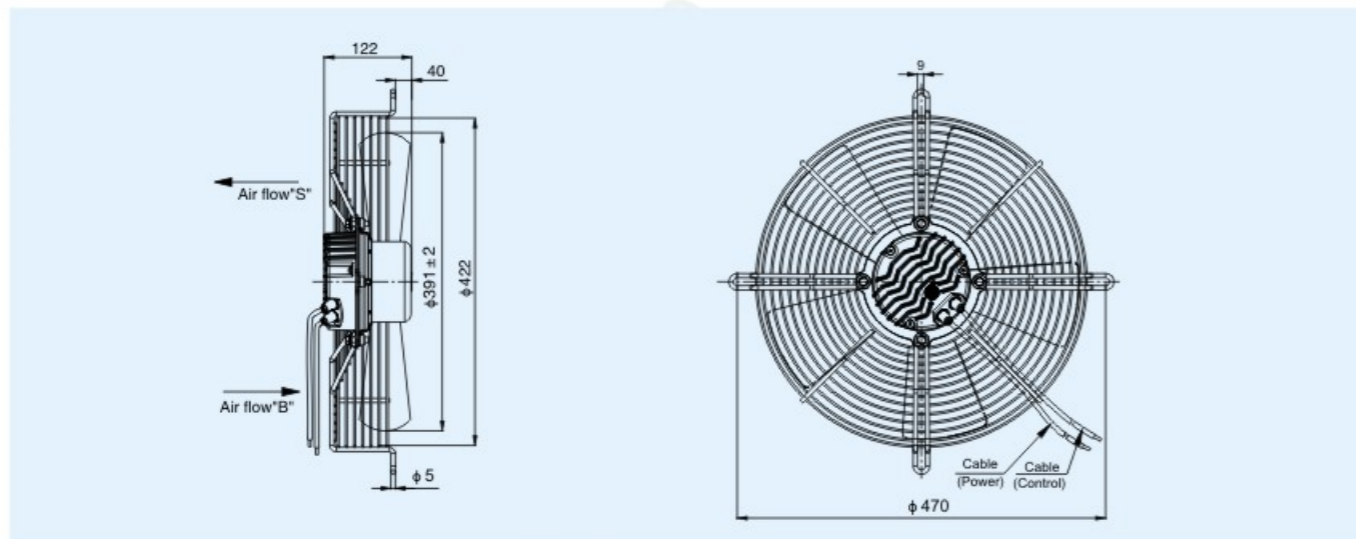


Flow Rate Curve



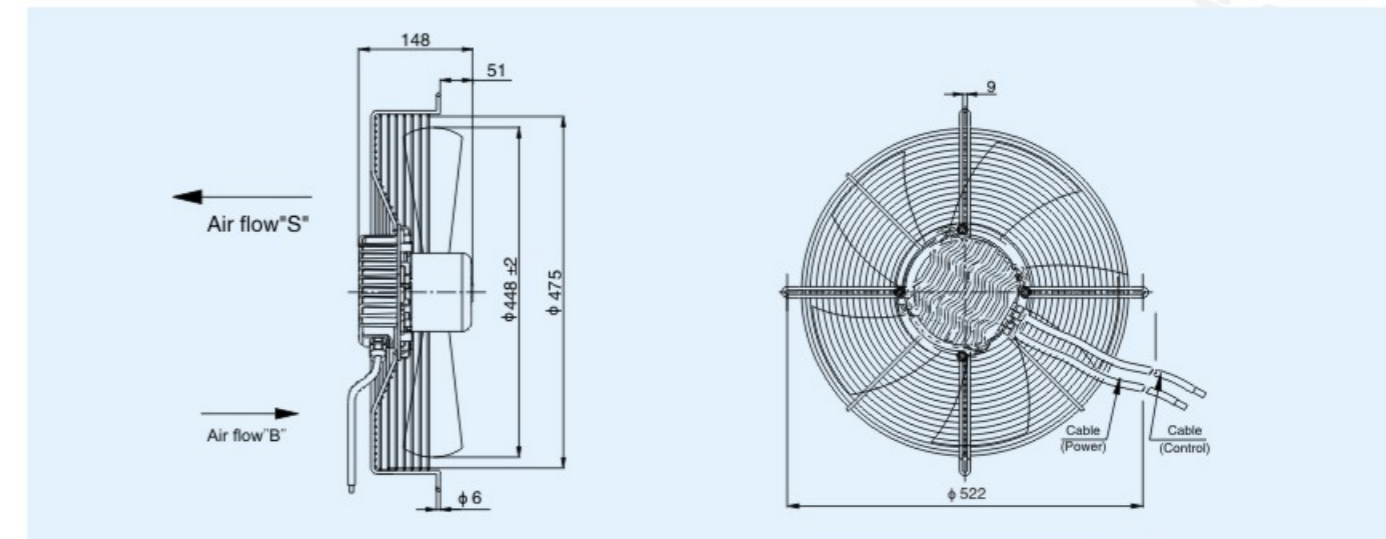
- Material: Guard grille: Steel, coated in black
- Blades: steel
- Rotor: Coated in black
- Electronics enclosure: Die-cast aluminium,
- Number of blades: 5
- Direction of rotation: "B": CCW, "S": CW, seen on LE
- Type of protection: IP 54
- Insulation class: "F"
- Mounting position: Shaft horizontal or rotor on bottom; rotor on top on request
- Condensate discharges: Rotor-side
- Mode of operation: Continuous operation (S1)
- Bearings: Maintenance-free ball bearings
- Speed control: 0-10V, PWM, VSP
- EMC: acc.to EN55014-1 EN55014-2; EN61000-3-2 EN61000-3-3
- Product conforming to standards: EN60034-1 EN60335-1 EN62233 CE

NO.	Pst (Pa)	P1 (W)	I (A)	n (r/min)	Actual EFF. (%)	Erp. 2015 (%)
①	20	222	2.10	1500		
	60	244	2.22	1500		
	100	269	2.43	1500	37.1	30.1
②	0	66	0.66	1100		
	40	81	0.89	1100	33.6	26.8
	80	124	1.24	1100		



技术参数 Technical Parameter

型号 Model	电压 Voltage (VAC)	频率 Frequency (Hz)	输入功率 Input Power (W)	电流 Current (A)	转速 Speed (r/min)	噪音 Noise [dB(A)]	允许环境温度 Perm. amb. temp (°C)	重量 Weight (kg)
ECF(K)6E400-PZB4BC0 ECF(K)6E400-PZB4SC0	230	50/60	200	1.65	1410	67	-25-50	5.5



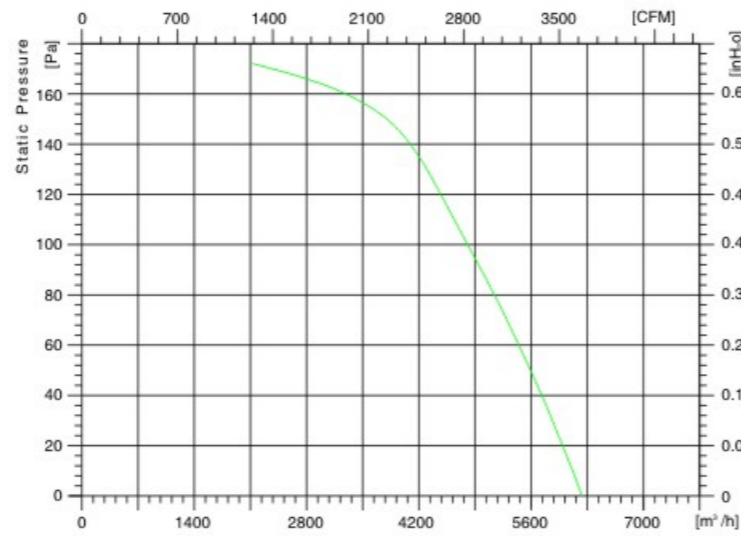
技术参数 Technical Parameter

型号 Model	电压 Voltage (VAC)	频率 Frequency (Hz)	输入功率 Input Power (W)	电流 Current (A)	转速 Speed (r/min)	噪音 Noise [dB(A)]	允许环境温度 Perm. amb. temp (°C)	重量 Weight (kg)
ECF(K)6E450-PZB5BC0 ECF(K)6E450-PZB5SC0	230	50/60	332	2.4	1500	69	-25-50	6.8

EC 450



Flow Rate Curve



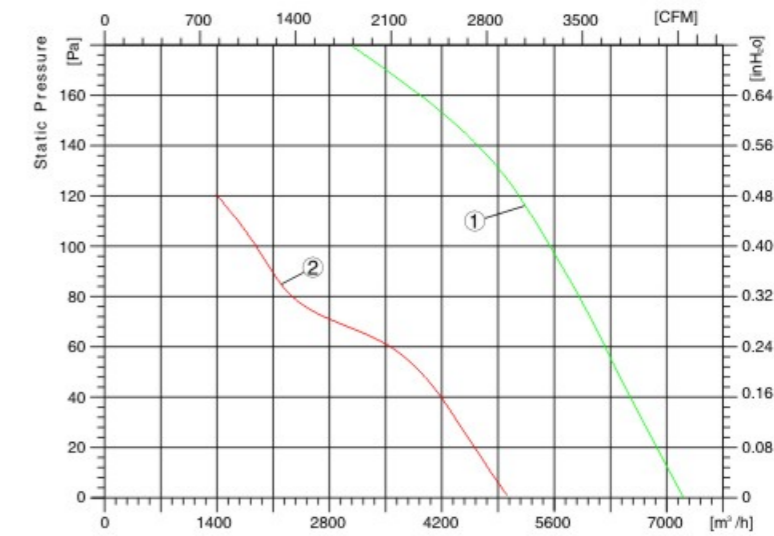
Pst (Pa)	P1 (W)	I (A)	n (r/min)	Actual EFF. (%)	Erp. 2015 (%)
60	344	2.59	1370		
80	357	2.68	1370	31.4	30.8
110	374	2.82	1370	37.3	31
140	402	2.96	1370	39.6	31.2

- Material: Guard grille: Steel, coated in black
- Blades: steel
- Rotor: Coated in black
- Electronics enclosure: Die-cast aluminium,
- Number of blades: 6
- Direction of rotation: "B": CCW, "S": CW, seen on LE
- Type of protection: IP 54
- Insulation class: "F"
- Mounting position: Shaft horizontal or rotor on bottom; rotor on top on request
- Condensate discharges: Rotor-side
- Mode of operation: Continuous operation (S1)
- Bearings: Maintenance-free ball bearings
- Speed control: 0-10V, PWM, VSP
- EMC: acc.to EN55014-1 EN55014-2; EN61000-3-2 EN61000-3-3
- Product conforming to standards: EN60034-1 EN60335-1 EN62233 CE

EC 500

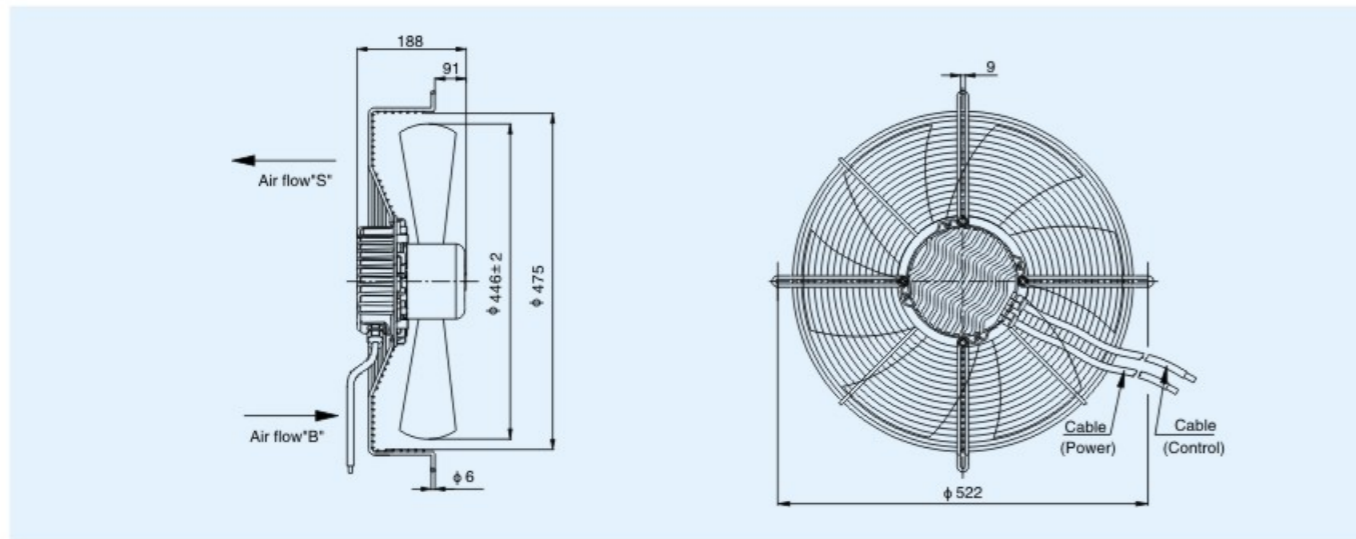


Flow Rate Curve



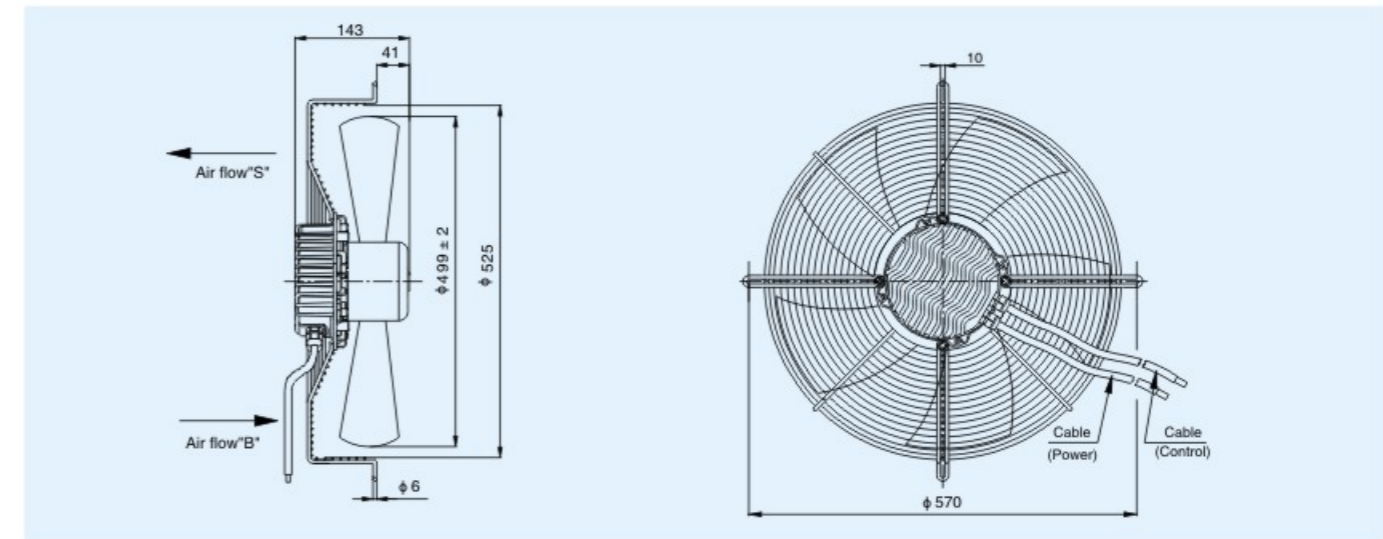
NO.	Pst (Pa)	P1 (W)	I (A)	n (r/min)	Actual EFF. (%)	Erp. 2015 (%)
①	20	321	2.62	1400		
	80	390	3.07	1400	34.38	31.09
	120	434	3.46	1400	39.88	31.38
②	0	110	0.98	1000		
	60	151	1.33	1000	39.5	28.5
	100	184	1.58	1000		

- Material: Guard grille: Steel, coated in black
- Blades: steel
- Rotor: Coated in black
- Electronics enclosure: Die-cast aluminium,
- Number of blades: 5
- Direction of rotation: "B": CCW, "S": CW, seen on LE
- Type of protection: IP 54
- Insulation class: "F"
- Mounting position: Shaft horizontal or rotor on bottom; rotor on top on request
- Condensate discharges: Rotor-side
- Mode of operation: Continuous operation (S1)
- Bearings: Maintenance-free ball bearings
- Speed control: 0-10V, PWM, VSP
- EMC: acc.to EN55014-1 EN55014-2; EN61000-3-2 EN61000-3-3
- Product conforming to standards: EN60034-1 EN60335-1 EN62233 CE



技术参数 Technical Parameter

型号 Model	电压 Voltage (VAC)	频率 Frequency (Hz)	输入功率 Input Power (W)	电流 Current (A)	转速 Speed (r/min)	噪音 Noise [dB(A)]	允许环境温度 Perm.amb. temp(°C)	重量 Weight (kg)
ECF(K)8E450-PZB6BC0 ECF(K)8E450-PZB6SC0	230	50/60	450	3.5	1370	68	-25-50	9



技术参数 Technical Parameter

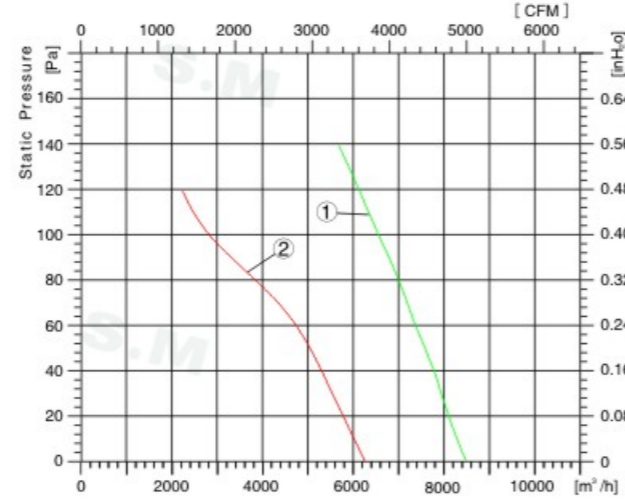
型号 Model	电压 Voltage (VAC)	频率 Frequency (Hz)	输入功率 Input Power (W)	电流 Current (A)	转速 Speed (r/min)	噪音 Noise [dB(A)]	允许环境温度 Perm.amb. temp (°C)	重量 Weight (kg)
ECF(K)8E500-PZB5BC0 ECF(K)8E500-PZB5SC0	230	50/60	450	3.5	1400	73	-25-50	7.0

EC 550



- Material: Guard grille: Steel, coated in black
- Blades: steel
- Rotor: Coated in black
- Electronics enclosure: Die-cast aluminium,
- Number of blades: 5
- Direction of rotation: "B": CW, "S": CCW, seen on LE
- Type of protection: IP 54
- Insulation class: "F"
- Mounting position: Shaft horizontal or rotor on bottom; rotor on top on request
- Condensate discharges: Rotor-side
- Mode of operation: Continuous operation (S1)
- Bearings: Maintenance-free ball bearings
- Speed control: 0~10V, PWM, VSP
- EMC: acc.to EN55014-1 EN55014-2:EN61000-3-2 EN61000-3-3
- Product conforming to standards: EN60034-1 EN60335-1 EN62233 CE

Flow Rate Curve



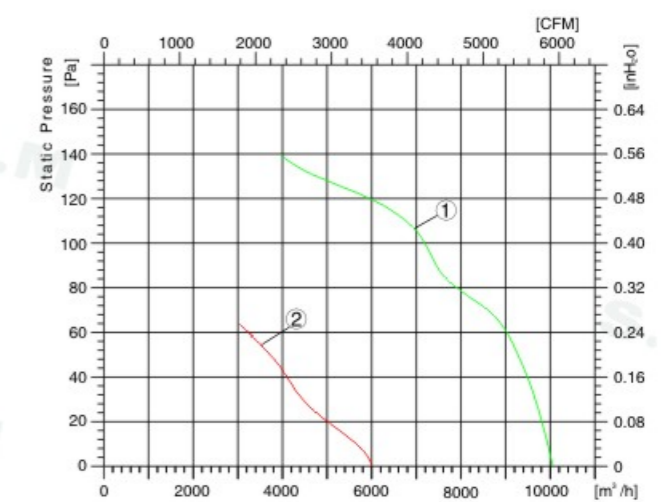
NO.	Pst (Pa)	P1 (W)	I (A)	n (r/min)	Actual EFF.(%)	Erp. 2015(%)
①	20	403	3.51	1380		
	80	464	3.95	1360	33.8	31.6
	140	505	4.31	1340	43.2	31.8
②	20	178	1.51	1000		
	70	228	1.92	1000	38.9	29.6
	100	268	2.2	1000		

EC 600

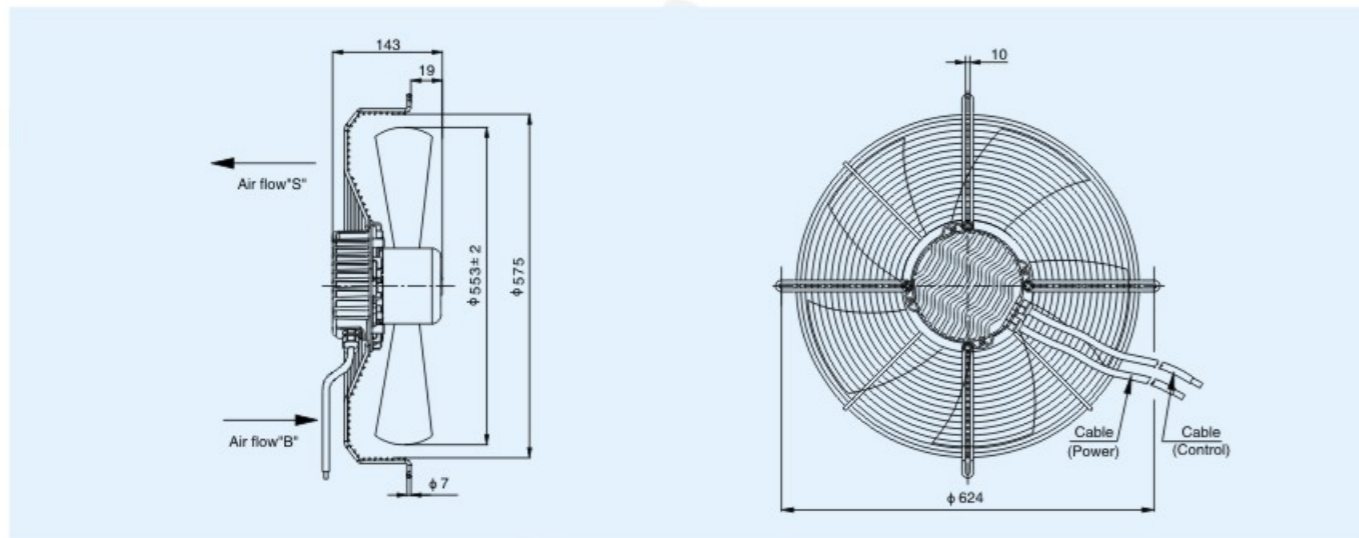


- Material: Guard grille: Steel, coated in black
- Blades: steel
- Rotor: Coated in black
- Electronics enclosure: Die-cast aluminium,
- Number of blades: 5
- Direction of rotation: "B": CW, "S": CCW, seen on LE
- Type of protection: IP 54
- Insulation class: "F"
- Mounting position: Shaft horizontal or rotor on bottom; rotor on top on request
- Condensate discharges: Rotor-side
- Mode of operation: Continuous operation (S1)
- Bearings: Maintenance-free ball bearings
- Speed control: 0~10V, PWM, VSP
- EMC: acc.to EN55014-1 EN55014-2:EN61000-3-2 EN61000-3-3
- Product conforming to standards: EN60034-1 EN60335-1 EN62233 CE

Flow Rate Curve

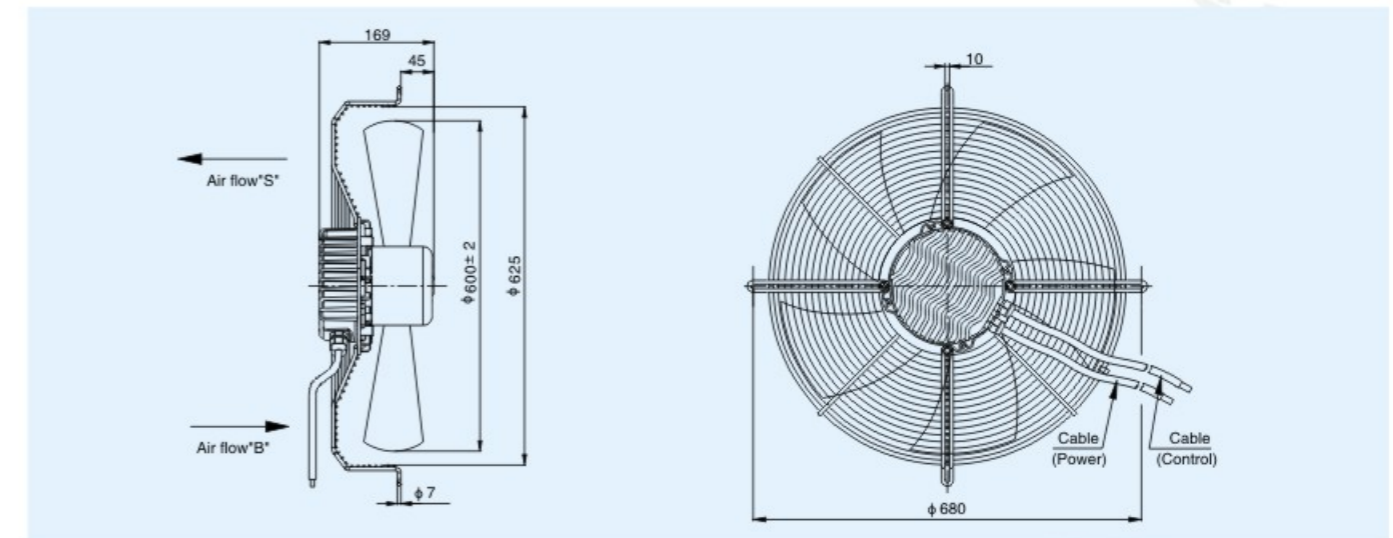


NO.	Pst (Pa)	P1 (W)	I (A)	n (r/min)	Actual EFF.(%)	Erp. 2015(%)
①	20	574	4.23	1226		
	80	541	4.05	1148	34.0	31.7
	120	519	3.82	1115	38.91	31.87
②	0	99	0.95	700		
	20	120	1.09	700		
	50	130	1.07	700	36.2	28.1



技术参数 Technical Parameter

型号 Model	电压 Voltage (VAC)	频率 Frequency (Hz)	输入功率 Input Power (W)	电流 Current (A)	转速 Speed (r/min)	噪音 Noise [dB(A)]	允许环境温度 Perm.amb. temp(°C)	重量 Weight (kg)
ECF(K)8E550-PZB5BC0 ECF(K)8E550-PZB5SC0	230	50/60	520	3.9	1400	74	-25~50	10



技术参数 Technical Parameter

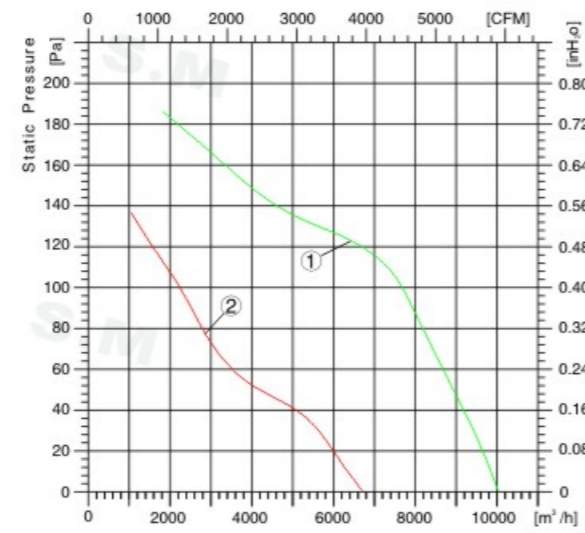
型号 Model	电压 Voltage (VAC)	频率 Frequency (Hz)	输入功率 Input Power (W)	电流 Current (A)	转速 Speed (r/min)	噪音 Noise [dB(A)]	允许环境温度 Perm.amb. temp(°C)	重量 Weight (kg)
ECF(K)8E600-PZB5BC0 ECF(K)8E600-PZB5SC0	230	50/60	500	4.2	1310	75	-25~50	10.5

EC 630



- Material: Guard grille: Steel, coated in black
- Blades: steel
- Rotor: Coated in black
- Electronics enclosure: Die-cast aluminium,
- Number of blades: 5
- Direction of rotation: "B": CCW, "S": CW, seen on LE
- Type of protection: IP 54
- Insulation class: "F"
- Mounting position: Shaft horizontal or rotor on bottom; rotor on top on request
- Condensate discharges: Rotor-side
- Mode of operation: Continuous operation (S1)
- Bearings: Maintenance-free ball bearings
- Speed control: 0-10V, PWM, VSP
- EMC: acc.to EN55014-1 EN55014-2; EN61000-3-2 EN61000-3-3
- Product conforming to standards: EN60034-1 EN60335-1 EN62233 CE

Flow Rate Curve



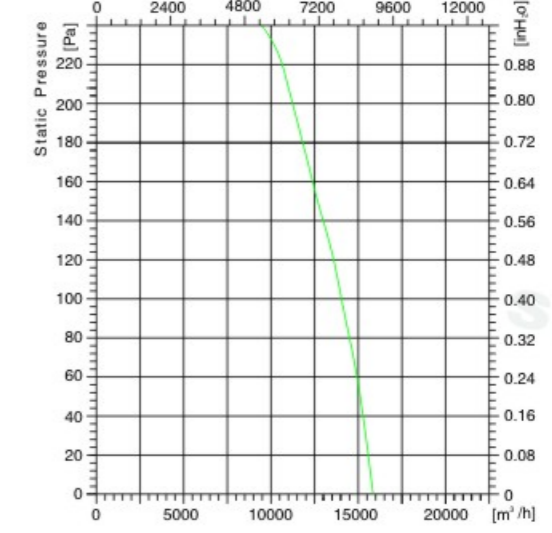
NO.	Pst (Pa)	P1 (W)	I (A)	n (r/min)	Actual EFF.(%)	Erp. 2015(%)
①	20	401	3.33	1216		
	100	528	4.07	1215	40.18	31.92
	120	551	4.5	1206	39.92	32.04
②	40	155	1.41	800	36.61	28.56
	60	173	1.45	800	30.61	28.86
	80	198	1.75	800	30.84	29.23

EC 710

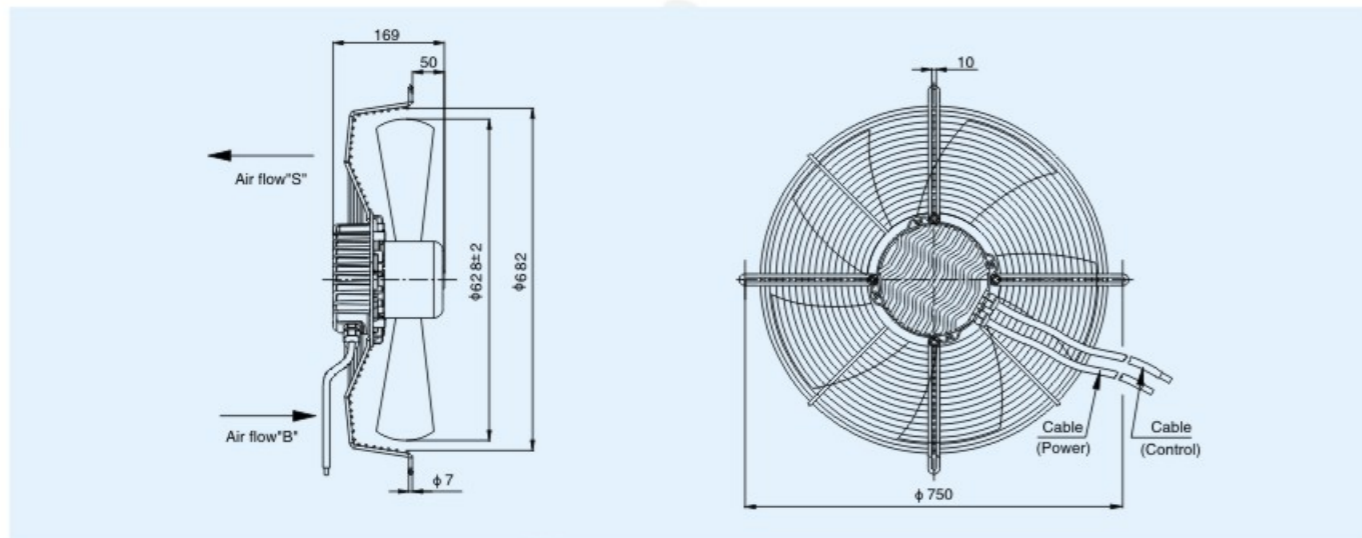


- Material: Guard grille: Steel, coated in black
- Blades: steel
- Rotor: Coated in black
- Electronics enclosure: Die-cast aluminium,
- Number of blades: 7
- Direction of rotation: "B": CW, "S": CCW, seen on LE
- Type of protection: IP 54
- Insulation class: "F"
- Mounting position: Shaft horizontal or rotor on bottom; rotor on top on request
- Condensate discharges: Rotor-side
- Mode of operation: Continuous operation (S1)
- Bearings: Maintenance-free ball bearings
- Speed control: 0-10V, PWM, VSP
- EMC: acc.to EN55014-1 EN55014-2; EN61000-3-2 EN61000-3-3
- Product conforming to standards: EN60034-1 EN60335-1 EN62233 CE

Flow Rate Curve

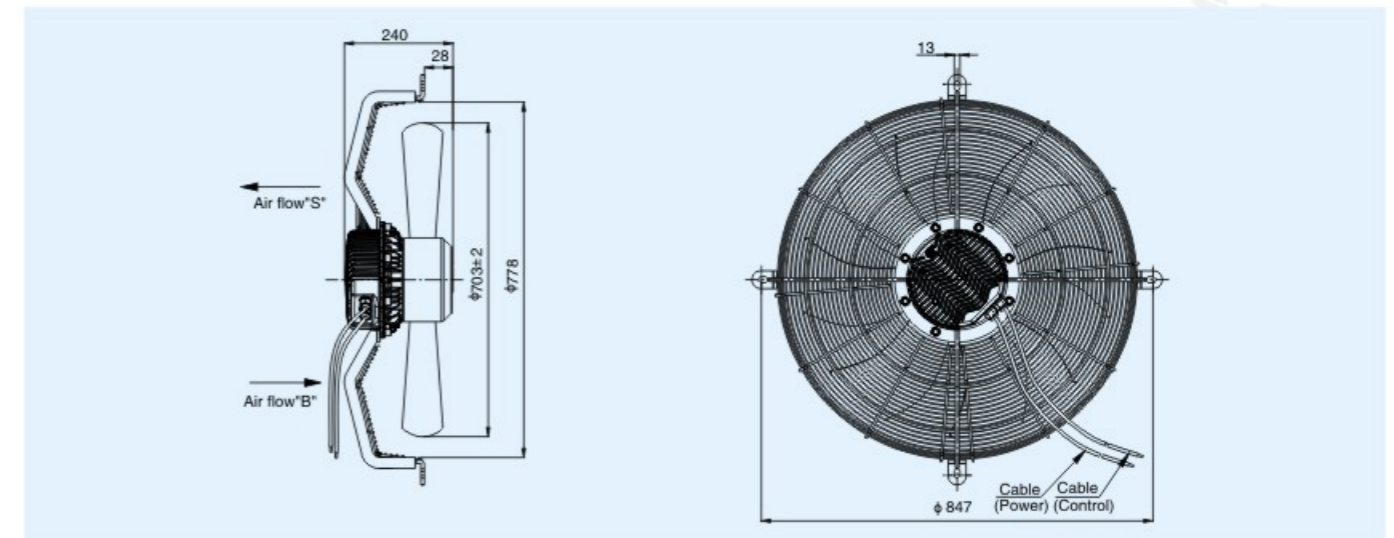


Pst (Pa)	P1 (W)	I (A)	n (r/min)	Actual EFF.(%)	Erp. 2015(%)
80	1242	2.31	1255		
100	1280	2.41	1255	38.66	32.75
140	1335	2.51	1255	42	32.96



技术参数 Technical Parameter

型号 Model	电压 Voltage (VAC)	频率 Frequency (Hz)	输入功率 Input Power (W)	电流 Current (A)	转速 Speed (r/min)	噪音 Noise [dB(A)]	允许环境温度 Perm. amb. temp (°C)	重量 Weight (kg)
ECF(K)8E630-PZB5BC0 ECF(K)8E630-PZB5SC0	230	50/60	528	4.07	1215	77	-25-50	11



技术参数 Technical Parameter

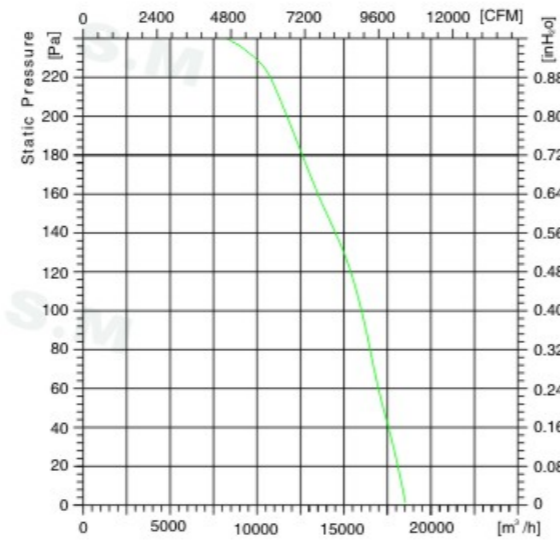
型号 Model	电压 Voltage (VAC)	频率 Frequency (Hz)	输入功率 Input Power (W)	电流 Current (A)	转速 Speed (r/min)	噪音 Noise [dB(A)]	允许环境温度 Perm. amb. temp (°C)	重量 Weight (kg)
ECF(K)8D710-PZB7BC0 ECF(K)8D710-PZB7SC0	400	50/60	1500	2.45	1250	82	-25-50	29

EC 800



- Material: Guard grille: Steel, coated in black
- Blades: steel
- Rotor: Coated in black
- Electronics enclosure: Die-cast aluminium,
- Number of blades: 7
- Direction of rotation: "B": CCW, "S": CW, seen on LE
- Type of protection: IP 54
- Insulation class: "F"
- Mounting position: Shaft horizontal or rotor on bottom; rotor on top on request
- Condensate discharges: Rotor-side
- Mode of operation: Continuous operation (S1)
- Bearings: Maintenance-free ball bearings
- Speed control: 0-10V, PWM, VSP
- EMC: acc.to EN55014-1 EN55014-2; EN61000-3-2 EN61000-3-3
- Product conforming to standards: EN60034-1 EN60335-1 EN62233 CE

Flow Rate Curve



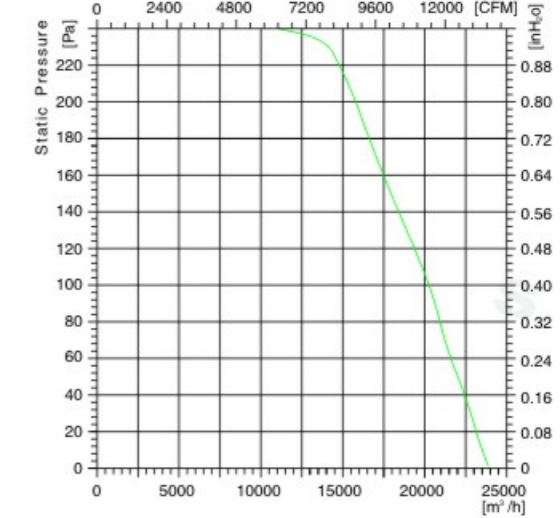
Pst (Pa)	P1 (W)	I (A)	n (r/min)	Actual EFF.(%)	Erp. 2015(%)
80	1491	2.86	1163		
140	1581	3.07	1164	35.83	34.93
200	1656	3.33	1165	39.52	35.05

EC 910

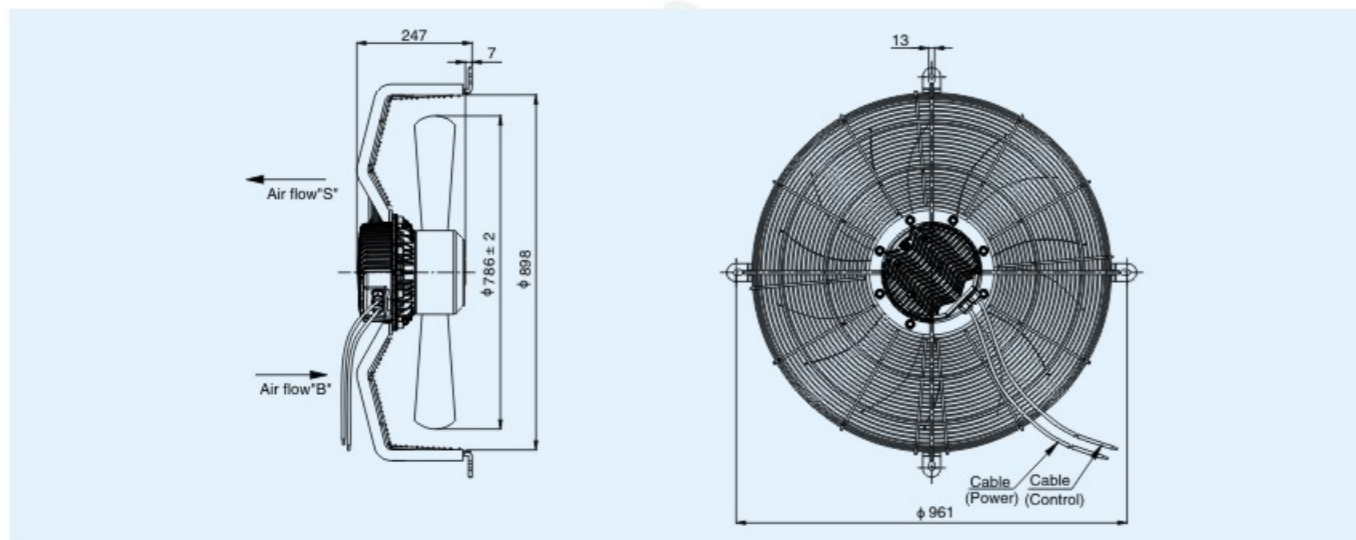


- Material: Guard grille: Steel, coated in black
- Blades: steel
- Rotor: Coated in black
- Electronics enclosure: Die-cast aluminium,
- Number of blades: 7
- Direction of rotation: "B": CCW, "S": CW, seen on LE
- Type of protection: IP 54
- Insulation class: "F"
- Mounting position: Shaft horizontal or rotor on bottom; rotor on top on request
- Condensate discharges: Rotor-side
- Mode of operation: Continuous operation (S1)
- Bearings: Maintenance-free ball bearings
- Speed control: 0-10V, PWM, VSP
- EMC: acc.to EN55014-1 EN55014-2; EN61000-3-2 EN61000-3-3
- Product conforming to standards: EN60034-1 EN60335-1 EN62233 CE

Flow Rate Curve

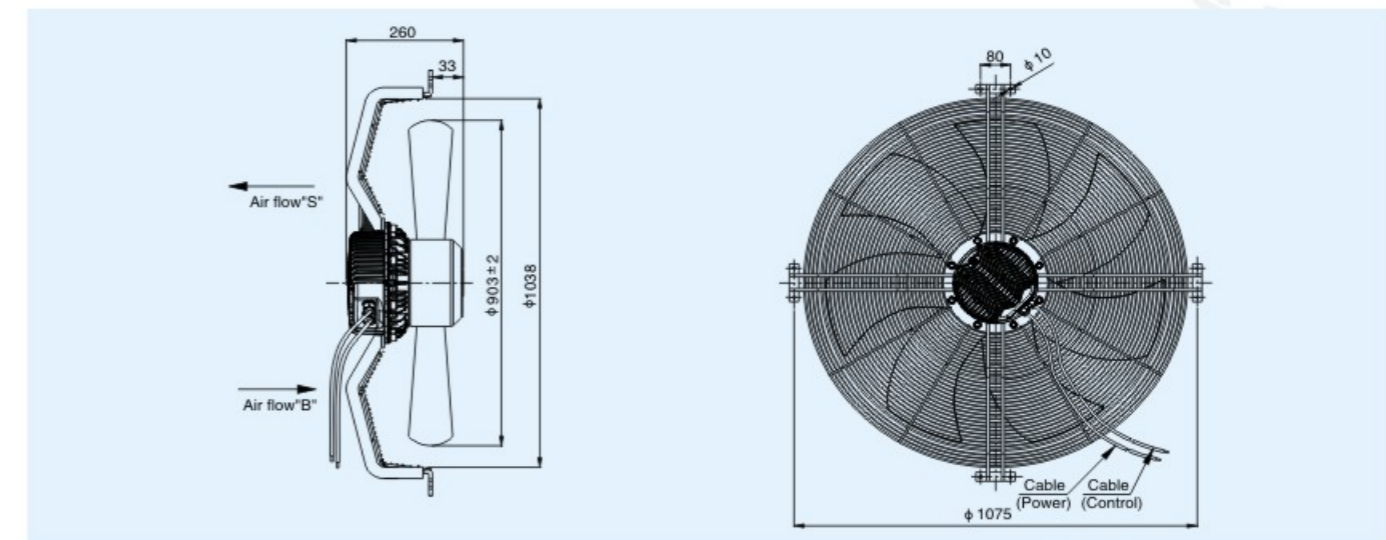


Pst (Pa)	P1 (W)	I (A)	n (r/min)	Actual EFF.(%)	Erp. 2015(%)
80	1719	3.01	1005		
140	1870	3.36	1005	38.18	35.39
200	2003	3.64	1006	44.23	35.57



技术参数 Technical Parameter

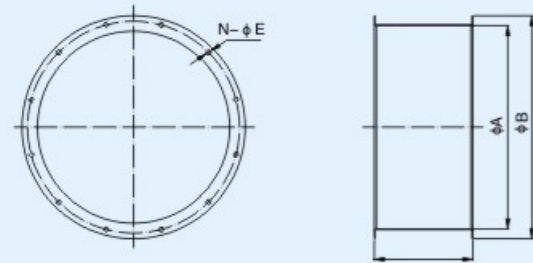
型号 Model	电压 Voltage (VAC)	频率 Frequency (Hz)	输入功率 Input Power (W)	电流 Current (A)	转速 Speed (r/min)	噪音 Noise [dB(A)]	允许环境温度 Perm.amb.temp (°C)	重量 Weight (kg)
ECF(K)8D800-PZB7BC0 ECF(K)8D800-PZB7SC0	400	50/60	1650	2.7	1165	82	-25-50	37



技术参数 Technical Parameter

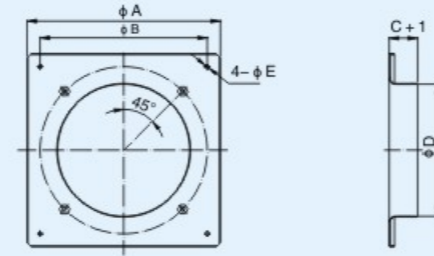
型号 Model	电压 Voltage (VAC)	频率 Frequency (Hz)	输入功率 Input Power (W)	电流 Current (A)	转速 Speed (r/min)	噪音 Noise [dB(A)]	允许环境温度 Perm.amb.temp (°C)	重量 Weight (kg)
ECF(K)8D910-PZB7BC0 ECF(K)8D910-PZB7SC0	400	50/60	2000	3.1	1000	83	-25-50	40

选配件一 Accessory 1
风筒系列 Wind tube series



风筒系列 Wind tube series

选配件二 Accessory 2
方盘系列 Square plate series



方盘系列 Square plate series

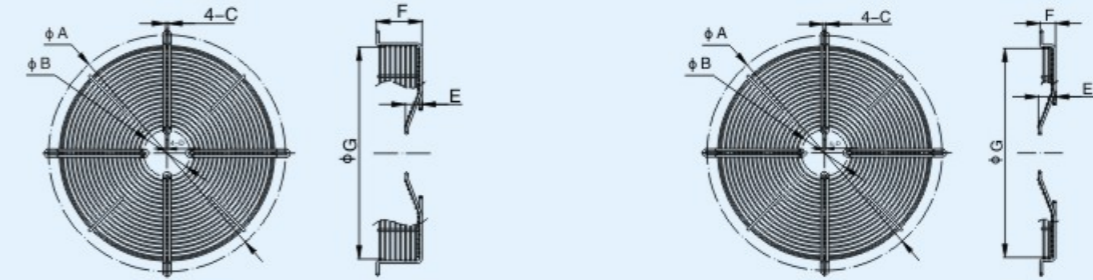
安装尺寸(风筒系列) Installation size(Wind tube series)

型号 Model	尺寸 Size	A	B	C	N-φE
200	208	250	180	8-φ7	
250	257	310	180	8-φ7	
300	317	382	180	8-φ9.5	
350	359	421	180	8-φ9.5	
400	400	465	190	12-φ9.5	
450	460	515	190	12-φ9.5	
500	510	567	250	12-φ9.5	
550	565	635	250	16-φ11.5	
630	640	707	250	16-φ11.5	

安装尺寸(方盘系列) Installation size(Square plate series)

型号 Model	尺寸 Size	A	B	C	D	E
350	485	435	85	360	9	
400	540	490	100	410	9	
420	544	504	98	428	9	
450	575	535	100	460	11	
500	655	615	120	510	11	
550	725	675	135	560	11	
630	805	750	150	630	11	
650	832	792	128	668	11	
710	850	810	170	710	14.5	

选配件三 Accessory 3
网罩系列 Guard grilles series

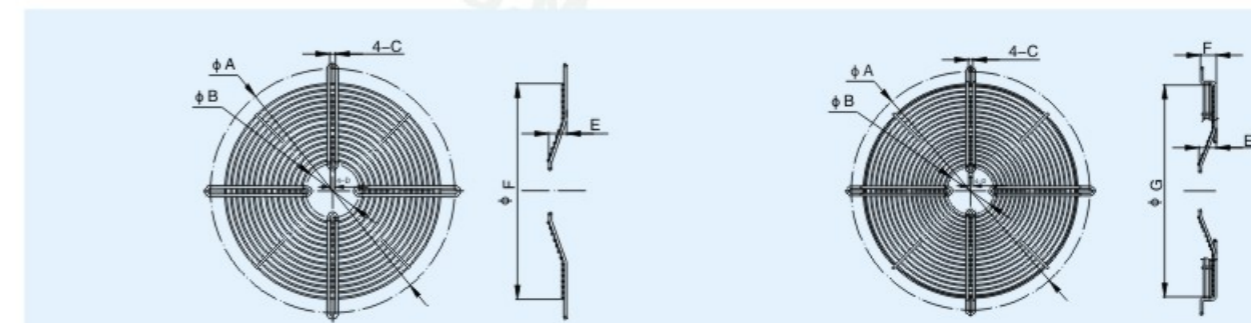


高凹网罩系列 High Concave Guard Grilles

型号 Model	尺寸 Size	A	B	C	D	E	F	G
300	360	133	7	6	30	55	322	
	360	133	7	6	30	70	322	
350	422	133	9	7	30	75	375	
400	470	133	9	7	35	80	422	
	470	173	9	7	30	90	422	
450	522	133	9	7	45	85	475	
	522	173	9	7	32	80	475	
500	570	173	10	7	22	90	525	
550	624	173	10	7	25	100	575	
600	680	173	10	7	25	100	625	
630	750	173	10	7	30	100	682	
	750	252	13	11	40	139	674	
710	847	252	13	11	72	208	778	
800	961	252	13	11	62	233	898	
910	1075	252	10	11	55	206	1038	

低凹网罩系列 Low Concave Guard Grilles

型号 Model	尺寸 Size	A	B	C	D	E	F	G
350	422	90	9	7	30	30	375	
	422	90	9	7	30	40	375	
400	470	90	9	7	30	32	422	
	502	90	9	7	34	30	443	
420	522	90	9	7	30	38	475	
	522	90	9	7	30	30	475	
450	567	115	10	9	30	30	525	
500	624	115	10	9	30	32	575	
550	624	115	10	9	30	32	575	
630	737	115	10	9	35	32	657	
710	880	252	13	11	85	105	805	
800	968	252	13	11	98	98	904	
	835	252	13	11	66	100	798	
910	1075	252	13	11	61	109	1045	



平凹网罩系列 Flat Concave Guard Grilles

型号 Model	尺寸 Size	A	B	C	D	E	F
300	360	58.5	7	6	30	318	
350	422	90	9	7	30	370	
400	470	90	9	7	30	420	
450	522	90	9	7	30	470	
500	567	115	9	9	30	520	
550	624	115	10	9	30	570	
630	737	115	10	9	35	650	

低凹加大网罩系列 Low Concave And Extra Guard Grilles

型号 Model	尺寸 Size	A	B	C	D	E	F	G
300	392	133	7	6	25	30	353	
	440	133	9	7	30	30	395	
350	440	58	9	6	33	40	395	
	522	133	9	7	35	25	475	
400	522	173	9	7	21	33	492	
	522	173	9	7	23	48	489	
450	576	133	9	7	35	35	547	
	576	173	9	7	33	38	544	
500	623	173	9	7	31	39	594	
550	675	173	9	7	35	45	646	
600	737	173	9	7	38	48	690	
630	785	173	9	7	35	43	747	
	785	252	13	11	45	89	736	

→ 车间掠影 Workshop environment



→ 产品检测 Product testing



成功需要好的准备，
成功是一种付出的象征，
成功需要团队的共同努力……

Success requires good preparation,
Success is the symbol of a kind of pay.
Success calls for the joint efforts of the team...

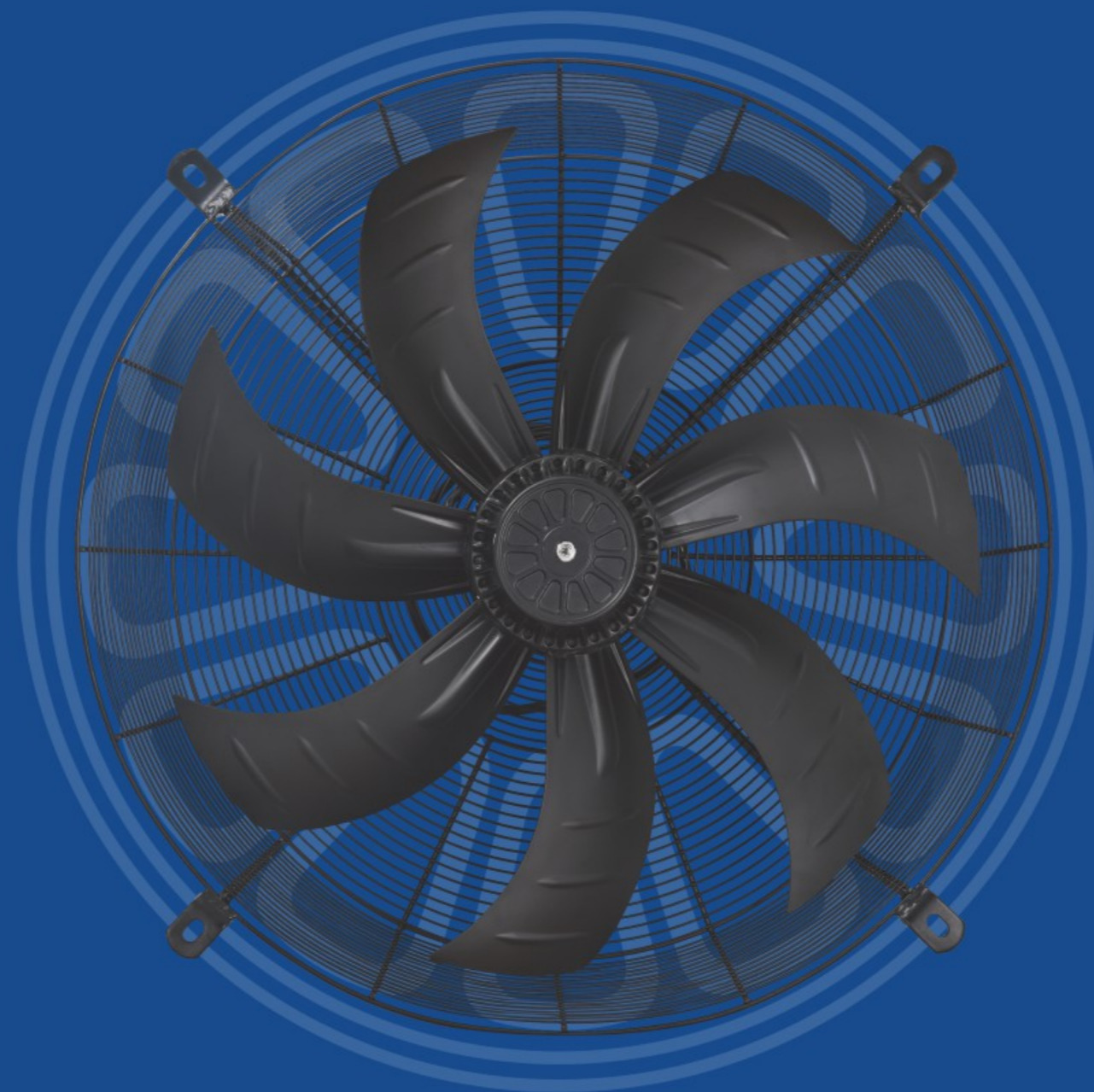
→ 企业资质 Enterprise qualification

Enterprise qualification



温岭市三水机电有限公司版权所有，翻版必究。
Wenling Sanmu Machine Electricity Co.,Ltd. All rights reserved.

采用生态纸印刷。
Environment-friendly paper print.



温岭市三水机电有限公司

Wenling Sanmu Machine Electricity Co.,Ltd.

地址：中国浙江省温岭市城南镇中心工业区

Add: The Central Industry Zone, Chengnan Town,

Wenling City, Zhejiang Province, China

电话(Tel): +86-576-8626 8888 8626 8019

+86-576-8626 8058 8626 8098

传真(Fax): +86-576-8626 8020

网址(Website): <http://www.cnsanmu.com>

邮箱(E-mail): info1@cnsanmu.com

Version:SM-17A



企业简介

温岭市三木机电有限公司是从事电机和风机研究、开发、制造的外向型企业，地处风景秀丽的东海之滨—浙江温岭市，现有员工200多人，高级技术人员20多人，公司已有20多年的生产历史。公司携手国内著名高校成立“联合研究中心”，并荣获“省级中小企业技术中心”和“高新技术研究开发中心”称号，具有齐全的检验检测设备，拥有先进的生产流水线，并有一套完整的生产控制程序和检测程序，严格按ISO9001:2008质量管理体系运行，已经相继通过了CCC、CE、ROHS、ETL认证。

本着严谨的质量方针和全新的经营理念，三木机电不断提升和完善技术生产水平，始终贯彻“规范管理、恪守诚信、追求卓越、务实创新”的经营理念，以“小而精是我们的特色，高档定位是我们的追求”为导向，始终遵循品质第一，信誉第一的方针，热忱的售后服务让用户放心，公司不断加大新产品开发力度，努力提高员工素质，增强企业的凝聚力，从而使公司得到了快速的发展。

公司专业生产新型外转子电机、外转子轴流风机、离心风机、管道风机、冷凝器风机、冷风机等系列产品。并与欧洲高端专业电机制造商协作，产品远销欧洲、美洲、中东、东南亚等世界各地，在国内外享有较高的信誉和市场。

三木机电愿与海内外同仁携手共创通风、制冷行业辉煌明天！

Brief introduction

Wenling Sanmu Machine Electricity Co., Ltd. is engaged in the research, development, motor and fans manufacturing export-oriented enterprise, located in the beautiful coast of the east China sea-zhejiang wenling city, the existing staff more than 200 people, senior technical personnel more than 20 people, the company has more than 20 years of production history. Company hand in hand with the domestic famous universities set up a "Joint Research Center", and have gained a glorious the title of "Provincial Small and Medium-sized Enterprise Technology Center" and "High and New Technology Research and Development Center", has the complete testing equipment, has advanced production lines, and a complete set of production control program and testing, in strict accordance with ISO9001:2008 quality management system operation, have successively passed the CCC, CE, ROHS, ETL certificates.

In line with the rigorous quality policy and the brand-new management idea, sunwood electromechanical enhance and improve the technical level of production and always implement the "norm management, abide by integrity, the pursuit of excellence, pragmatic innovation" business philosophy, to "small and exquisite is our specialty, high-end positioning is our pursuit" as the guidance, always follow the quality first, reputation first. Warmly after-sales service allows users to rest assured, the company continuously strengthen new product development, efforts to improve staff quality, enhance the cohesion of the enterprise, thus make the company get the fast development.

Company specialized in the production of the new external rotor motors, external rotor axial-flow fans, centrifugal fans, condenser fans, air cooler, condenser pipe and other products. And collaboration with the European high-end professional motor manufacturers, products are exported to Europe, America, the Middle East, South-East Asia and other parts of the world, both at home and abroad enjoys a high reputation and market.

Sanmu Machine is willing to work with colleagues at home and abroad to join hands in creating a ventilation, refrigeration industry brilliant tomorrow!

目录

DIRECTORY

YWF(K)2E200-Z YWF(K)2D200-Z YWF(K)4E200-Z YWF(K)4D200-Z	2	YWF(K)2E250-Z YWF(K)4E250-Z YWF(K)4D250-Z	3	YWF(K)4E550-Z YWF(K)4D550-Z YWF(K)6E550-Z YWF(K)6D550-Z	22	YWF(K)4E550-ZX01 YWF(K)4D550-ZX02 YWF(K)8E550-Z YWF(K)8D550-Z	23
YWF(K)2E250-ZX03	4	YWF(K)2D250-ZX02	5	YWF(K)4E600-Z YWF(K)4D600-Z YWF(K)6E600-Z YWF(K)6D600-Z	24	YWF(K)4E600-ZX01 YWF(K)4D600-ZX01 YWF(K)8E600-Z YWF(K)8D600-Z	25
YWF(K)4E300-Z YWF(K)4D300-Z	6	YWF(K)2E300-Z YWF(K)2D300-Z	7	YWF(K)4E630-Z YWF(K)4D630-Z YWF(K)6E630-Z YWF(K)6D630-Z	26	YWF(K)4E630-ZX01 YWF(K)4D630-ZX01 YWF(K)6E630-ZX05 YWF(K)6D630-ZX01 YWF(K)8E630-Z YWF(K)8D630-Z	27
YWF(K)2E300-ZX01 YWF(K)2D300-ZX01	8	YWF(K)4E315-Z	9	YWF(K)4D630-Z-B	28	YWF(K)6D650-Z	29
YWF(K)4E350-Z YWF(K)4D350-Z YWF(K)6E350-Z YWF(K)6D350-Z	10	YWF(K)4E350-ZX01 YWF(K)4D350-ZX10	11	YWF(K)4D650-Z YWF(K)4E650-Z	30	YWF(K)6D710-Z YWF(K)6K710-Z	31
YWF(K)4E400-Z YWF(K)4D400-Z YWF(K)6E400-Z YWF(K)6D400-Z	12	YWF(K)4E400-ZX01 YWF(K)4D400-ZX11	13	YWF(K)4D710-Z YWF(K)8E710-Z YWF(K)8D710-Z	32	YWF(K)6D800-Z	33
YWF(K)4E420-Z YWF(K)4D420-Z YWF(K)6E420-Z YWF(K)6D420-Z	14	YWF(K)4E420-Z02 YWF(K)4D420-Z02	15	YWF(K)6K800-ZX04 YWF(K)6D800-ZX02	34	YWF(K)8D800-ZX02 YWF(K)12D800-ZX02	35
YWF(K)4D450-Z YWF(K)4E450-Z YWF(K)6D450-Z YWF(K)6E450-Z	16	YWF(K)4E450-ZX01 YWF(K)4D450-ZX06	17	YWF(K)6K800-ZF02	36	YWF(K)4D800-ZF	37
YWF(K)4D450-ZX05 YWF(K)6E450-ZX06	18	YWF(K)4K450-ZX01	19	YWF(K)6D910-ZX04	38	YWF(K)6D910-Z YWF(K)6D910-ZX02	39
YWF(K)4E500-Z YWF(K)4D500-Z YWF(K)6E500-Z YWF(K)6D500-Z	20	YWF(K)4E500-ZX10 YWF(K)4D500-ZX07 YWF(K)8E500-Z YWF(K)8D500-Z	21	YWF(K)8D910-Z	40	选配件一(风筒系列) Accessory1(wind tube series)	41
				选配件二(方盘系列) Accessory2(Square plate series)	42	选配件三(网罩系列) Accessory3(Net cover series)	43
				YWF(K)系列轴流风机状态选择参考图 YWF(K)Series Axial Fan State Select Reference Drawing			44



YWF(K)外转子轴流风机系列产品介绍 YWF(K) External Rotor Axial Fans Series Products

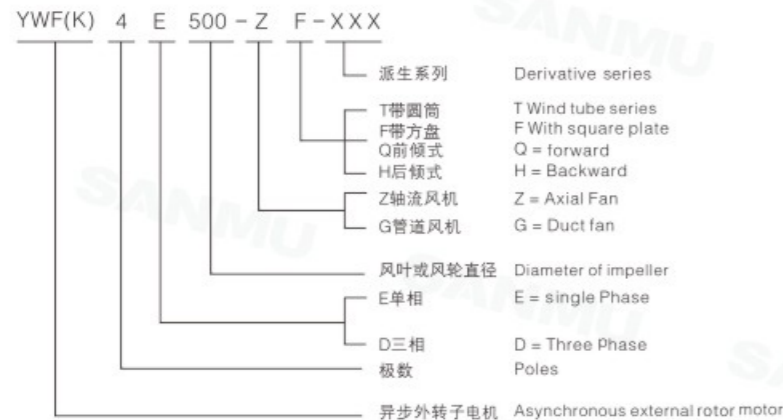
特点

- 结构紧凑，安装方便、运行可靠；
- 压力高，气流稳定；
- 噪声低、节能高效；
- 调速范围广，可适合变频调速和变压调速等多种调速方式；
- 电压及频率，交流单相230±10%，三相400±10%，频率50/60Hz，可供客户选择或定制；
- 适用性强，可广泛应用于管道风机、屋顶风机等制冷通风行业；
- 防护等级为IP54，绝缘等级B,F,H，可供客户选择或定制；
- 电机平均寿命在24000小时以上；
- 产品通过中国CCC认证和欧洲CE认证。

Features

- Compact configuration, convenient installation, and credible running;
- Pressure high, airflow stable;
- Little noise, energy saving and highly active;
- Several speed ranks, adapt to both frequency conversion---and Voltage transformation---speed changing active;
- AC single-phase 230 ± 10%V or three-phase 400 ± 10%V are alternative for voltage, and 50Hz or 60Hz for frequency;
- Extensive application --- can be widely used in refrigeration and ventilation fields such as duct fans and roofing fans;
- The safety grade of this series is IP54, and the insulation classes are available among B, F and H.
- The average longevity of service is over 24,000 hours
- The products have got the CCC certificate in China and CE approval in Europe

型号说明 Model Instruction

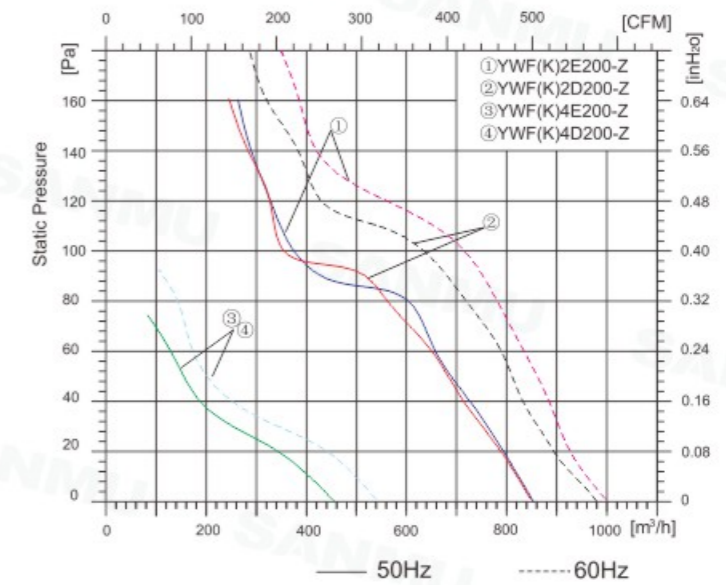


注：技术参数如有改动，恕不另行通知！ Specifications are subject to change without notice.

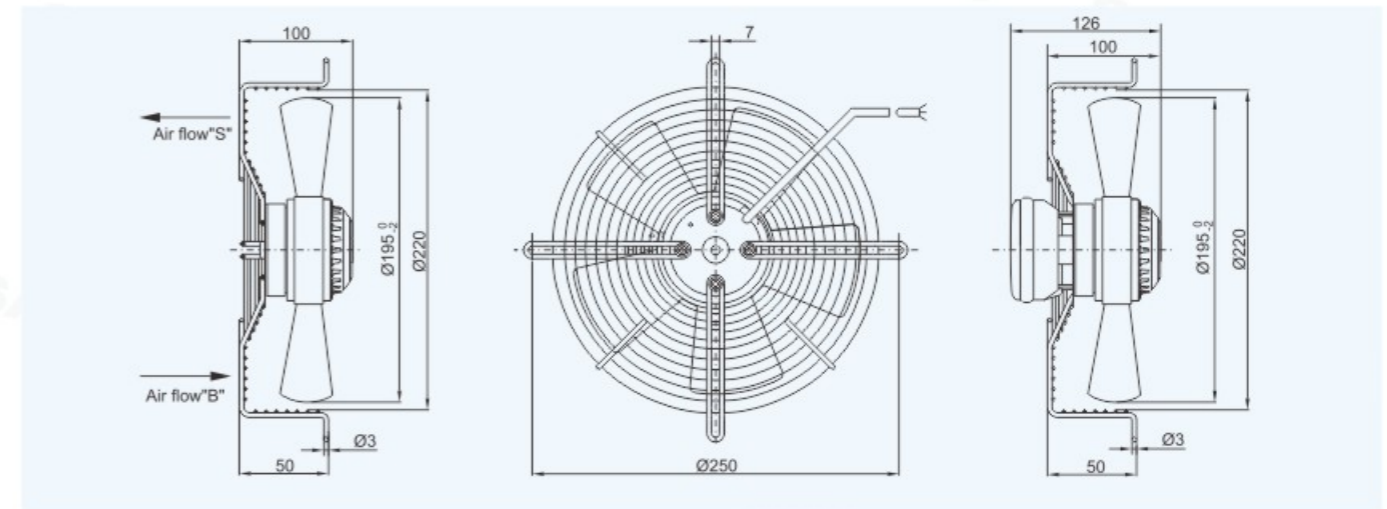
φ 200



Flow Rate Curve



NO.	Pst (Pa)	Fre (Hz)	P1 (W)	I (A)
①	20	50/60	70/75	0.35/0.33
	80	50/60	73/81	0.36/0.35
②	20	50/60	61/73	0.12/0.12
	80	50/60	64/79	0.13/0.13
③	10	50/60	23/25	0.11/0.12
	40	50/60	24/25	0.11/0.13
④	10	50/60	47/37	0.15/0.12
	40	50/60	47/38	0.15/0.12



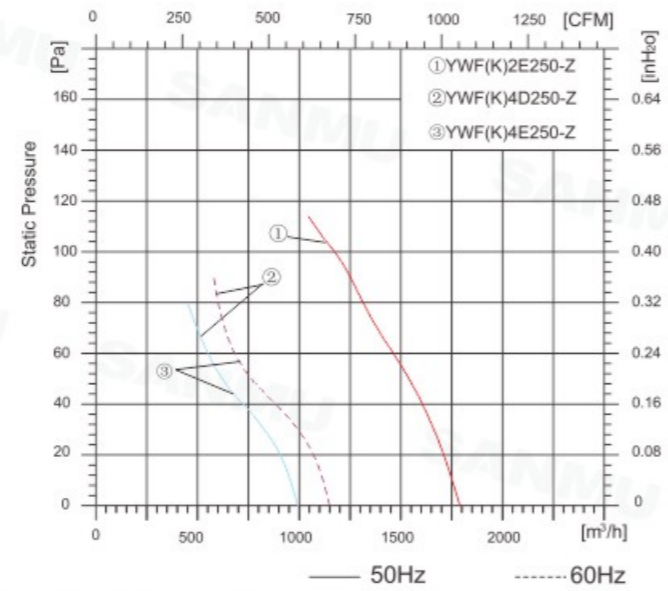
技术参数 Technical Parameter

型号 Model	电压 Voltage (VAC)	频率 Frequency (Hz)	输入功率 Input Power (W)	电流 Current (A)	风量 Air Volume (m³/h)	转速 Speed (r/min)	电容 Capacitor (μF)	噪音 Noise [dB(A)]	允许最高环境温度 Max Environmental Temperature (°C)	重量 Weight (Kg)
YWF(K)2E200-Z	230	50/60	80/95	0.35/0.42	870/1000	2700/3200	2	60/65	65	1.9
YWF(K)2D200-Z	380	50/60	70/90	0.16	870/1000	2650/3000	/	60/64	75	1.9
YWF(K)4E200-Z	230	50/60	29/38	0.12/0.17	450/560	1460/1650	1	48/51	75	1.9
YWF(K)4D200-Z	380	50/60	50/90	0.12	450/530	1450/1750	/	48/53	60	1.9

φ 250



Flow Rate Curve



3

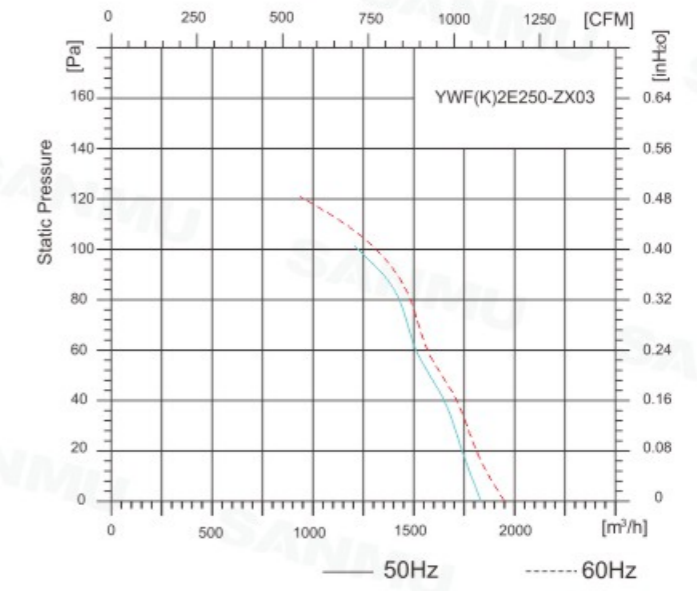
NO.	Pst (Pa)	Fre (Hz)	P1 (W)	I (A)
①	40	50	178	0.76
	90	50	185	0.81

NO.	Pst (Pa)	Fre (Hz)	P1 (W)	I (A)
②	20	50/60	35/41	0.11/0.13
	50	50/60	38/45	0.11/0.13
③	20	50/60	34/48	0.16/0.23
	50	50/60	36/50	0.17/0.24

φ 250

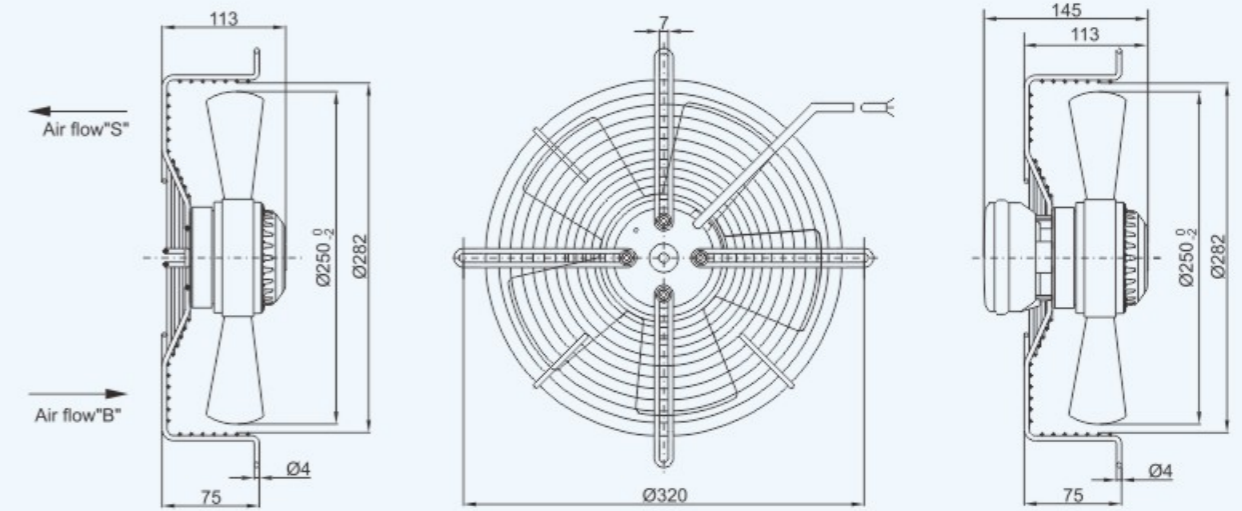
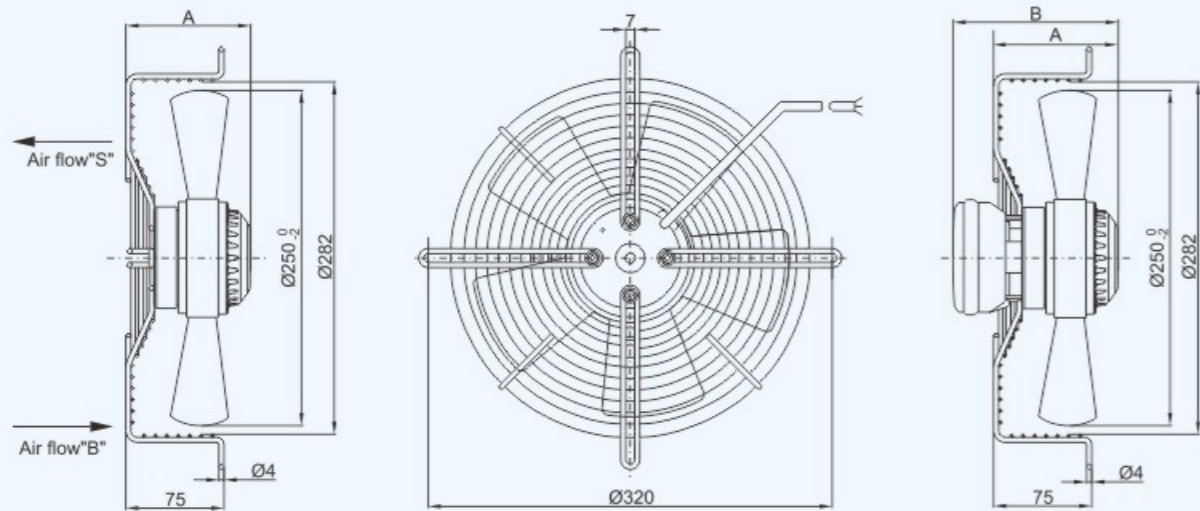


Flow Rate Curve



4

Pst (Pa)	Fre (Hz)	P1 (W)	I (A)
20	50	142	0.62
90	50	150	0.65
20	60	182	0.82
90	60	190	0.84



技术参数 Technical Parameter

型号 Model	电压 Voltage (VAC)	频率 Frequency (Hz)	输入功率 Input Power (W)	电流 Current (A)	风量 Air Volume (m³/h)	转速 Speed (r/min)	电容 Capacitor (μF)	噪音 Noise [dB(A)]	允许最高环境温度 Max Environmental Temperature (°C)	重量 Weight (Kg)	A	B
YWF(K)2E250-Z	230	50	180	0.78	1800	2500	4	68	65	3.0	102	134
YWF(K)4E250-Z	230	50/60	50/65	0.22/0.29	1000/1150	1380/1530	1.5	50/55	75	2.5	94	126
YWF(K)4D250-Z	380	50/60	60/70	0.13/0.15	1000/1150	1350/1550	/	50/55	75	2.7	94	126

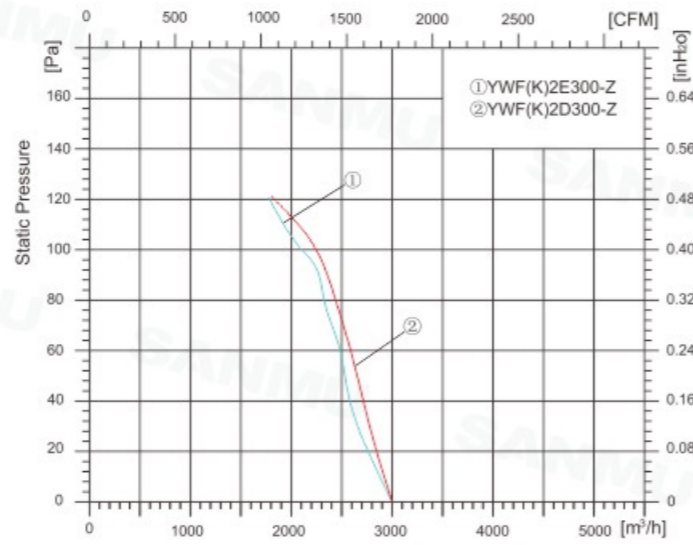
技术参数 Technical Parameter

型号 Model	电压 Voltage (VAC)	频率 Frequency (Hz)	输入功率 Input Power (W)	电流 Current (A)	风量 Air Volume (m³/h)	转速 Speed (r/min)	电容 Capacitor (μF)	噪音 Noise [dB(A)]	允许最高环境温度 Max Environmental Temperature (°C)	重量 Weight (Kg)
YWF(K)2E250-ZX03	230	50/60	150/185	0.66/0.84	1700/1900	2500/2600	6	69/70	65	3.2

φ 300



Flow Rate Curve

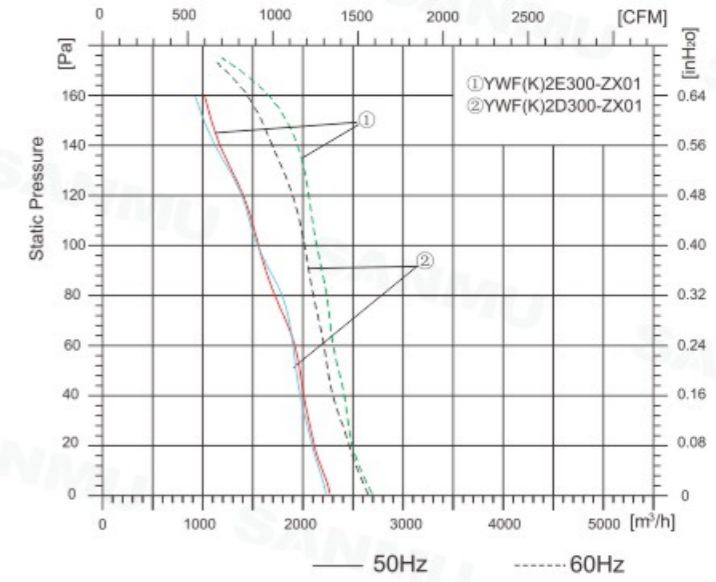


NO.	Pst (Pa)	Fre (Hz)	P1 (W)	I (A)
①	20	50	218	0.97
	140	50	263	1.15
②	20	50	208	0.37
	120	50	246	0.41

φ 300

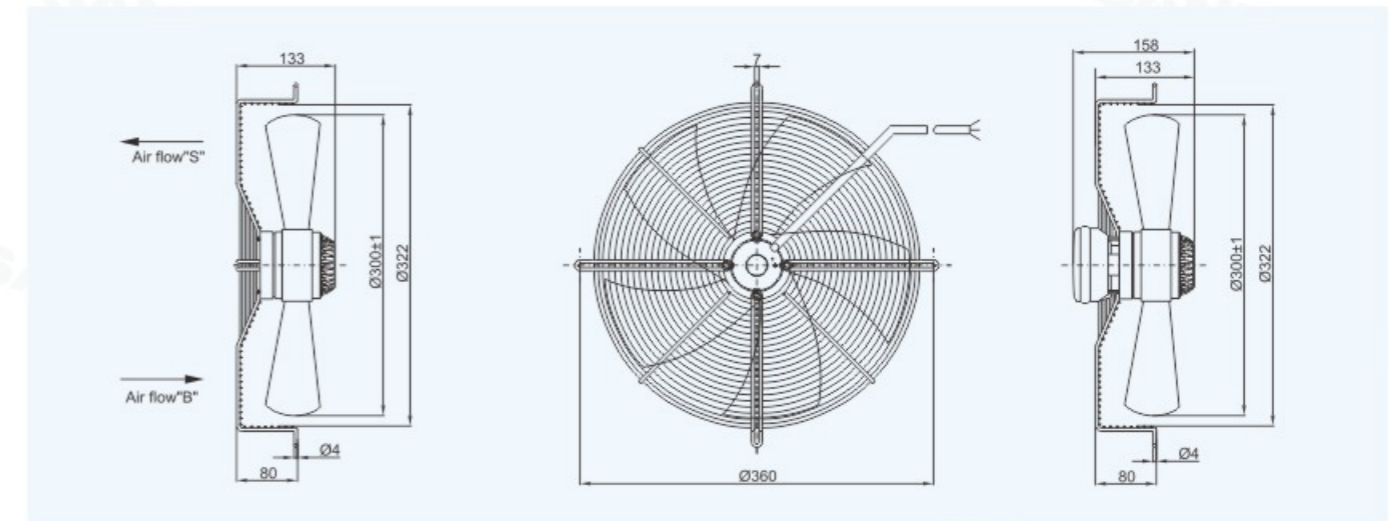
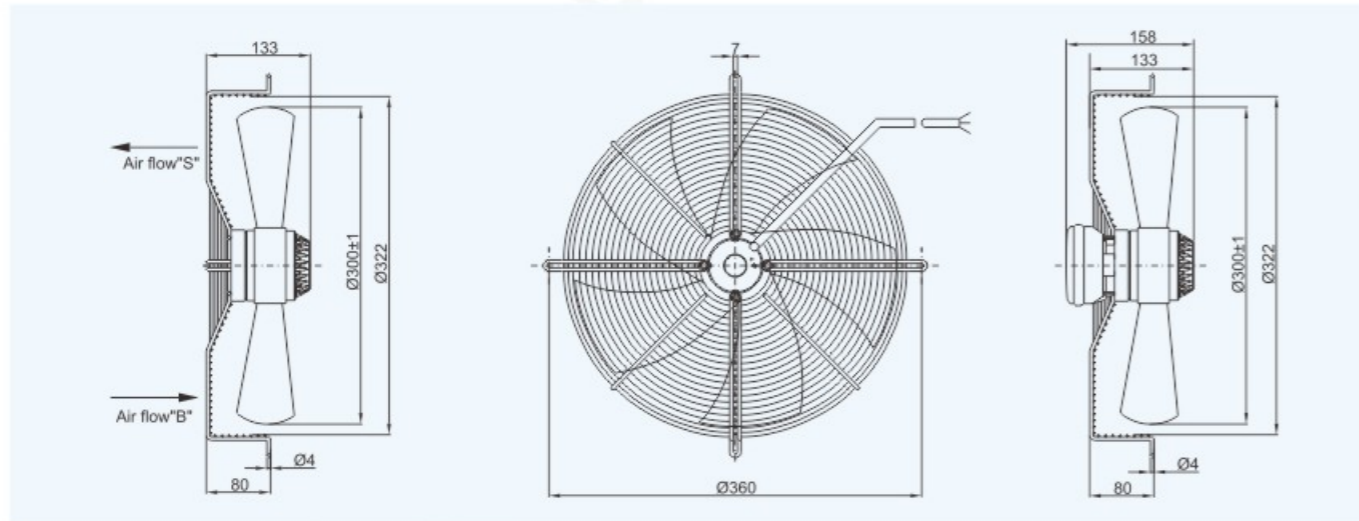


Flow Rate Curve



NO.	Pst (Pa)	Fre (Hz)	P1 (W)	I (A)
①	20	50	190	0.85
	140	50	225	0.97
②	20	60	220	1.0
	120	60	270	1.2

NO.	Pst (Pa)	Fre (Hz)	P1 (W)	I (A)
②	20	50	130	0.25
	140	50	180	0.31
②	20	60	175	0.28
	160	60	250	0.40



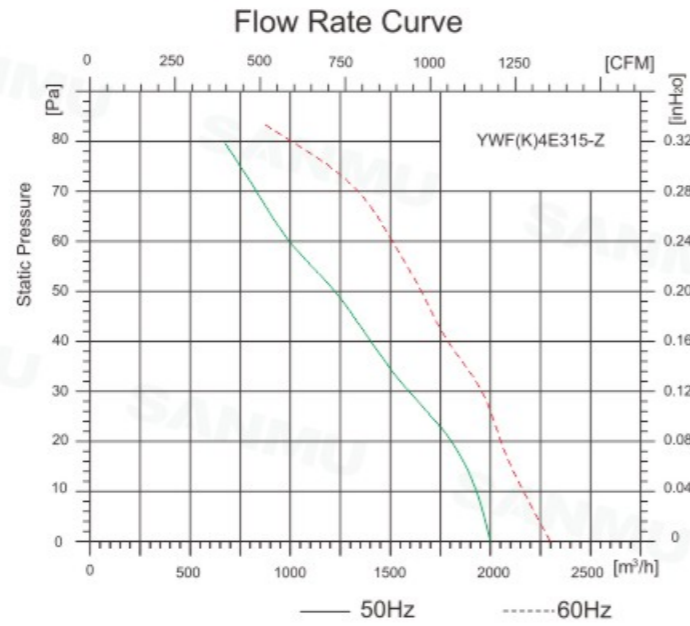
技术参数 Technical Parameter

型号 Model	电压 Voltage (VAC)	频率 Frequency (Hz)	输入功率 Input Power (W)	电流 Current (A)	风量 Air Volume (m³/h)	转速 Speed (r/min)	电容 Capacitor (µF)	噪音 Noise [dB(A)]	允许最高环境温度 Max Environmental Temperature (°C)	重量 Weight (Kg)
YWF(K)2E300-Z	230	50	250	1.1	3000	2530	6	70	65	4.7
YWF(K)2D300-Z	380	50	250	0.45	3000	2500	/	72	65	4.7

技术参数 Technical Parameter

型号 Model	电压 Voltage (VAC)	频率 Frequency (Hz)	输入功率 Input Power (W)	电流 Current (A)	风量 Air Volume (m³/h)	转速 Speed (r/min)	电容 Capacitor (µF)	噪音 Noise [dB(A)]	允许最高环境温度 Max Environmental Temperature (°C)	重量 Weight (Kg)
YWF(K)2E300-ZX01	230	50/60	200/270	0.9/1.2	2300/2700	2750/3140	6	72/75	65	4.7
YWF(K)2D300-ZX01	380	50/60	200/250	0.33/0.40	2250/2600	2600/2900	/	70/73	65	4.7

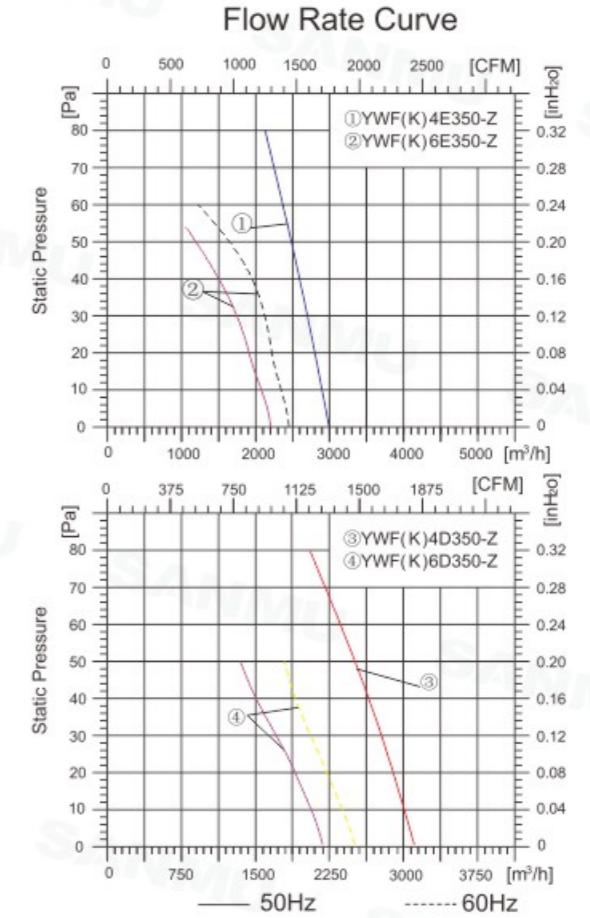
φ 315



Pst (Pa)	Fre (Hz)	P1 (W)	I (A)
20	50	102	0.45
60	50	109	0.48
20	60	120	0.57
70	60	130	0.60

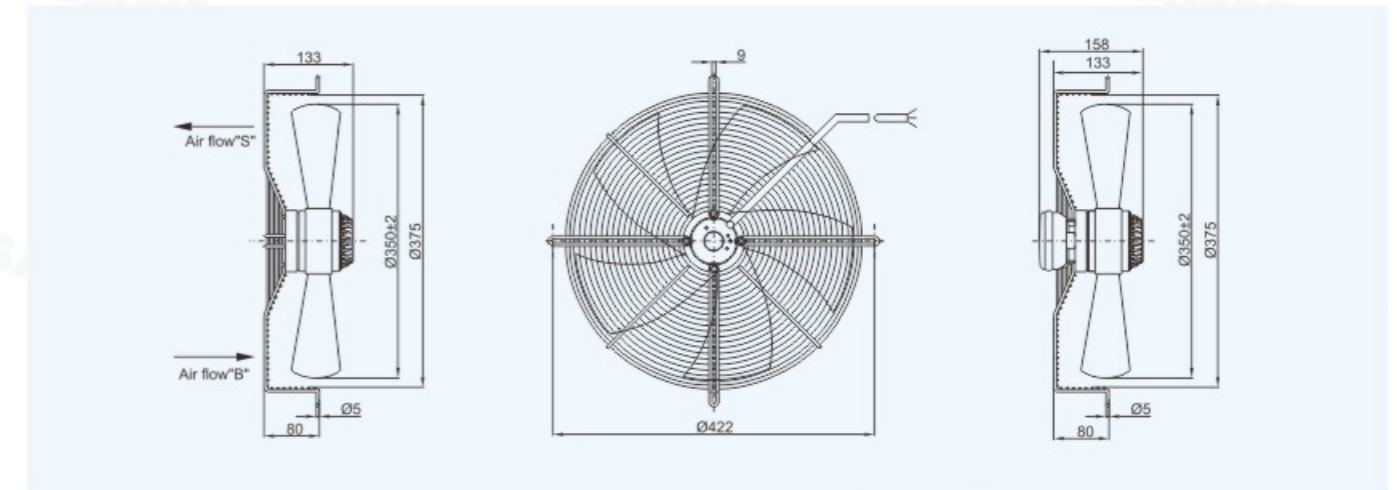
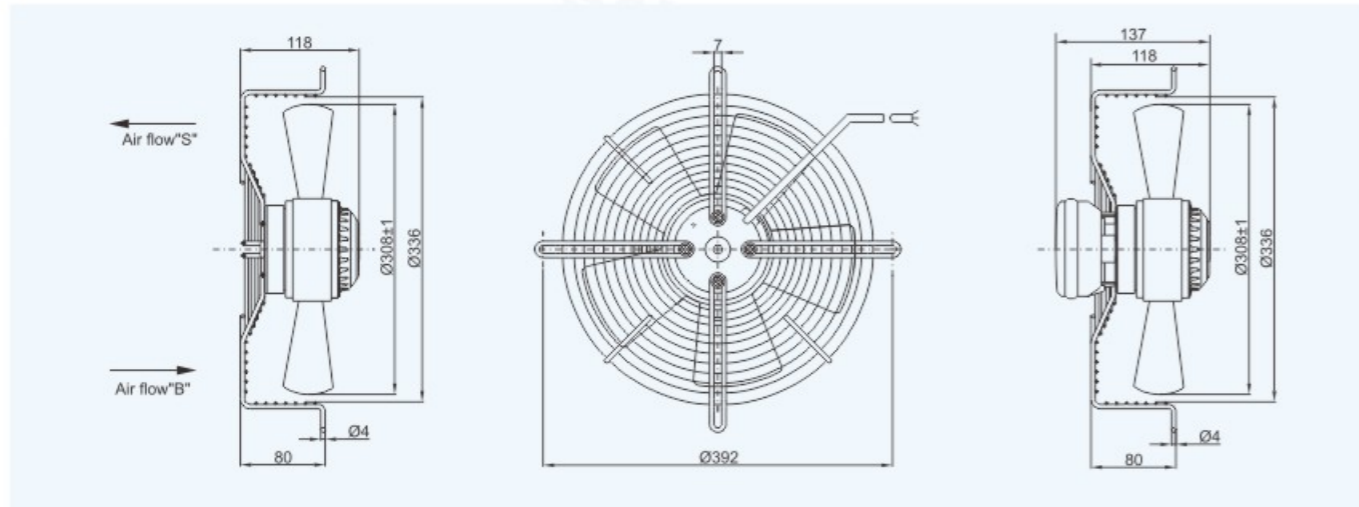
9

φ 350



NO.	Pst (Pa)	Fre (Hz)	P1 (W)	I (A)
①	30	50	137	0.61
	70	50	148	0.7
②	20	50/60	73/81	0.37/0.36
	40	50/60	77/86	0.38/0.38
③	30	50	130	0.35
	80	50	148	0.37
④	20	50/60	99/95	0.28/0.23
	50	50/60	106/103	0.28/0.23

10



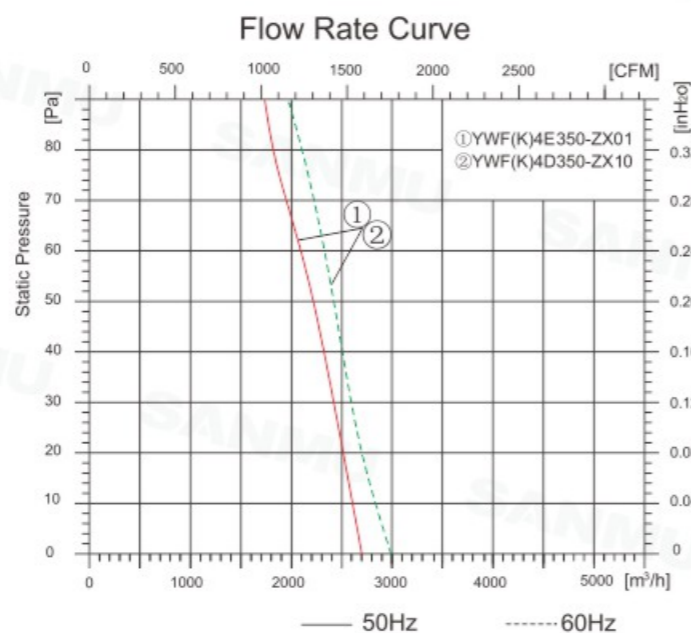
技术参数 Technical Parameter

型号 Model	电压 Voltage (VAC)	频率 Frequency (Hz)	输入功率 Input Power (W)	电流 Current (A)	风量 Air Volume (m³/h)	转速 Speed (r/min)	电容 Capacitor (μF)	噪音 Noise [dB(A)]	允许最高环境温度 Max Environmental Temperature (°C)	重量 Weight (Kg)
YWF(K)4E315-Z	230	50/60	100/130	0.5/0.6	2000/2300	1400/1600	4	60/65	65	3.3

技术参数 Technical Parameter

型号 Model	电压 Voltage (VAC)	频率 Frequency (Hz)	输入功率 Input Power (W)	电流 Current (A)	风量 Air Volume (m³/h)	转速 Speed (r/min)	电容 Capacitor (μF)	噪音 Noise [dB(A)]	允许最高环境温度 Max Environmental Temperature (°C)	重量 Weight (Kg)
YWF(K)4E350-Z	230	50	138	0.68	2980	1370	4	62	65	4.7
YWF(K)4D350-Z	380	50	145	0.37	3110	1390	/	63	65	4.7
YWF(K)6E350-Z	230	50/60	80/95	0.4/0.42	2100/2450	930/1100	2	53/58	65	4.7
YWF(K)6D350-Z	380	50/60	90/95	0.29/0.24	2100/2450	940/1100	/	53/58	65	4.7

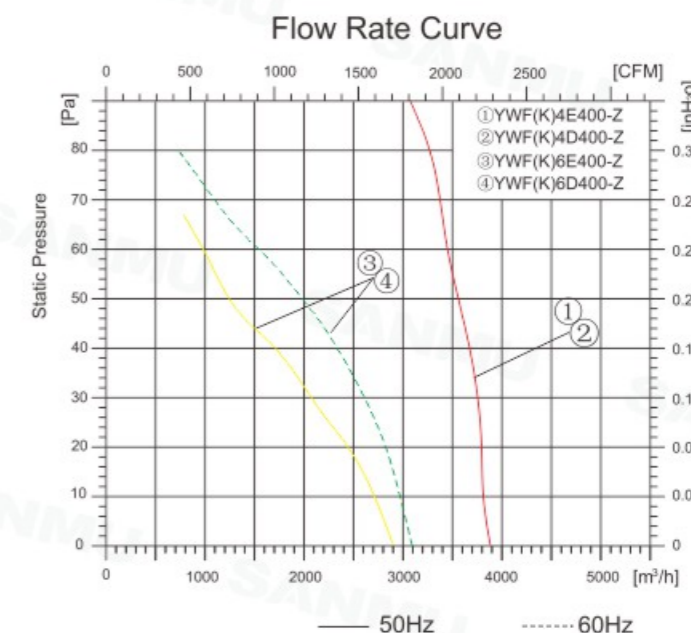
φ 350



NO.	Pst (Pa)	Fre (Hz)	P1 (W)	I (A)
①	20	50	130	0.58
	70	50	143	0.69
②	20	60	159	0.70
	70	60	180	0.79

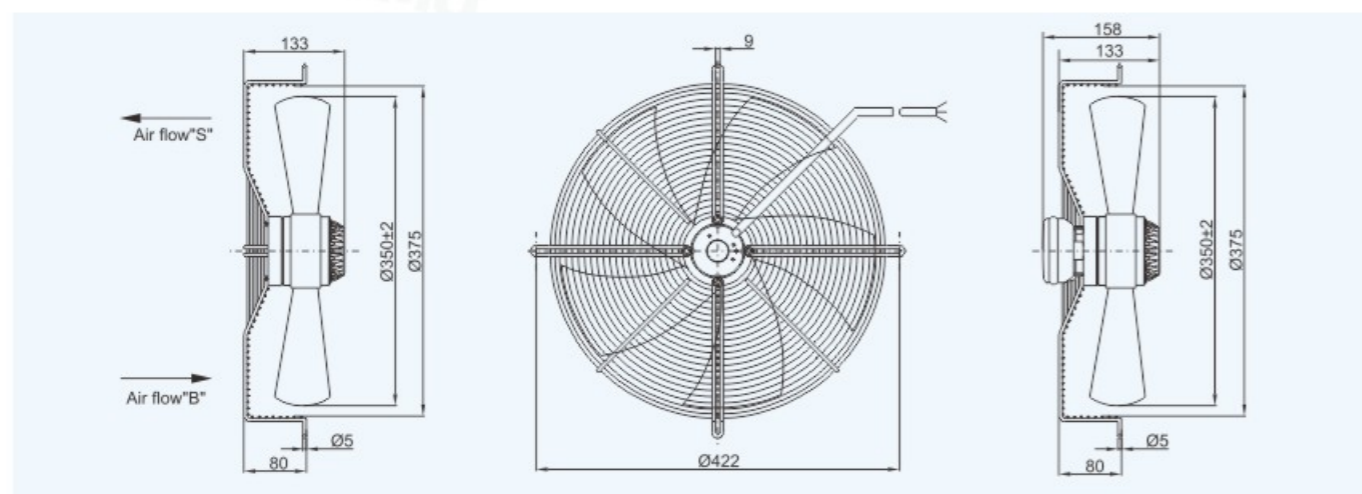
NO.	Pst (Pa)	Fre (Hz)	P1 (W)	I (A)
②	20	50	121	0.27
	70	50	148	0.29
②	20	60	162	0.29
	70	60	185	0.32

φ 400



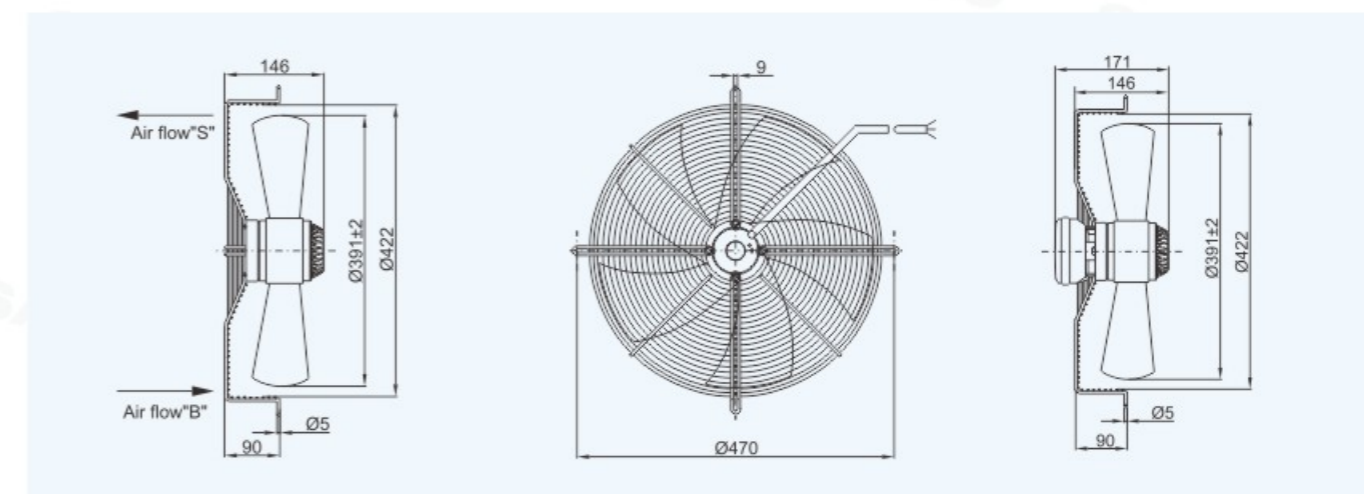
NO.	Pst (Pa)	Fre (Hz)	P1 (W)	I (A)
①	20	50	165	0.73
	80	50	183	0.82
	20	50	189	0.47
②	90	50	210	0.5

NO.	Pst (Pa)	Fre (Hz)	P1 (W)	I (A)
③	10	50/60	100/130	0.6/0.67
	45	50/60	116/152	0.66/0.75
	10	50/60	97/95	0.28/0.22
④	50	50/60	110/108	0.33/0.25



技术参数 Technical Parameter

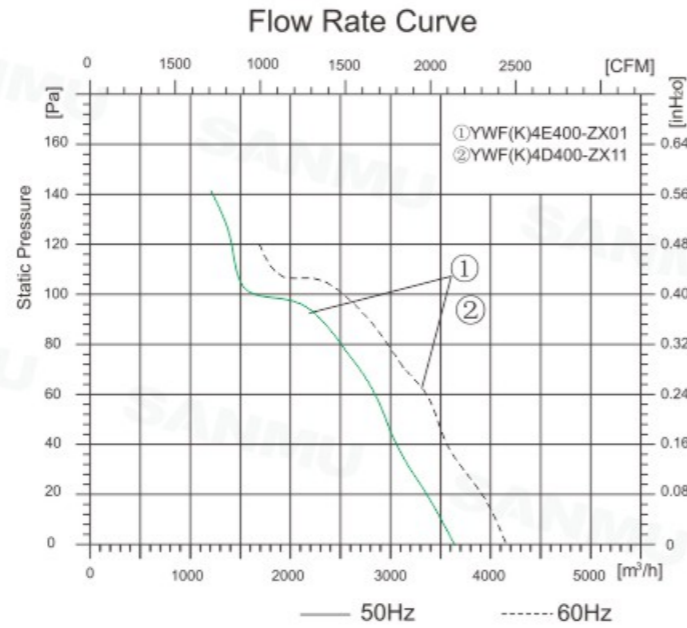
型号 Model	电压 Voltage (VAC)	频率 Frequency (Hz)	输入功率 Input Power (W)	电流 Current (A)	风量 Air Volume (m ³ /h)	转速 Speed (r/min)	电容 Capacitor (μF)	噪音 Noise [dB(A)]	允许最高环境温度 Max Environmental Temperature (°C)	重量 Weight (Kg)
YWF(K)4E350-ZX01	230	50/60	138/190	0.68/0.82	2700/3000	1380/1590	4	62/67	65	4-7
YWF(K)4D350-ZX10	380	50/60	145/185	0.30/0.33	2700/3000	1390/1580	/	63/67	65	4-7



技术参数 Technical Parameter

型号 Model	电压 Voltage (VAC)	频率 Frequency (Hz)	输入功率 Input Power (W)	电流 Current (A)	风量 Air Volume (m ³ /h)	转速 Speed (r/min)	电容 Capacitor (μF)	噪音 Noise [dB(A)]	允许最高环境温度 Max Environmental Temperature (°C)	重量 Weight (Kg)
YWF(K)4E400-Z	230	50	180	0.81	3900	1350	6	67	65	6.1
YWF(K)4D400-Z	380	50	190	0.48	3900	1380	/	67	65	6.1
YWF(K)6E400-Z	230	50/60	115/150	0.67/0.75	2900/3100	940/1080	3	58/61	60	6.1
YWF(K)6D400-Z	380	50/60	115/150	0.36/0.31	2900/3100	900/1000	/	60/61	60	6.1

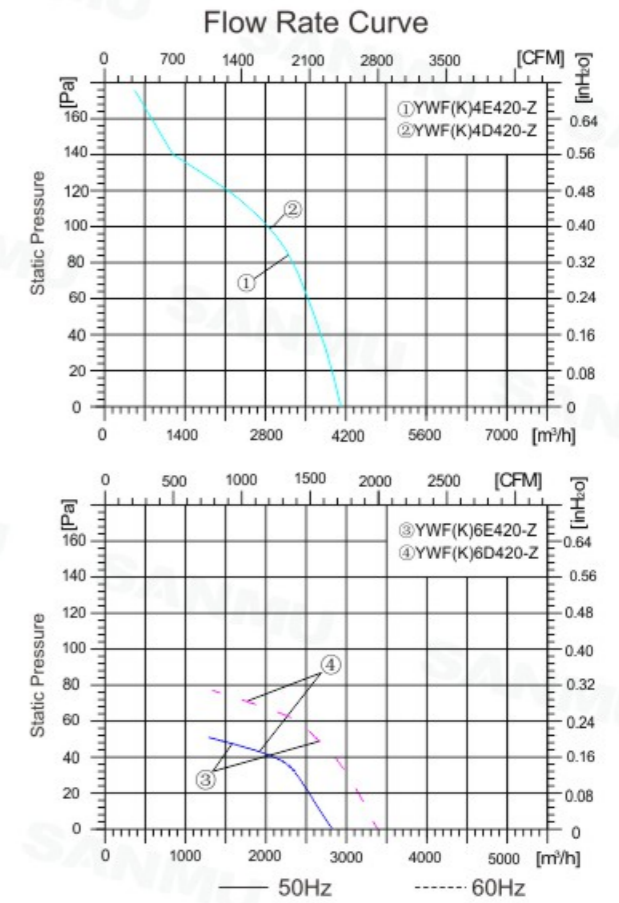
φ 400



NO.	Pst (Pa)	Fre (Hz)	P1 (W)	I (A)
①	20	50	167	0.74
	70	50	179	0.80
②	20	60	242	1.08
	70	60	255	1.13

NO.	Pst (Pa)	Fre (Hz)	P1 (W)	I (A)
②	20	50	190	0.46
	70	50	211	0.48
②	20	60	237	0.43
	70	60	258	0.47

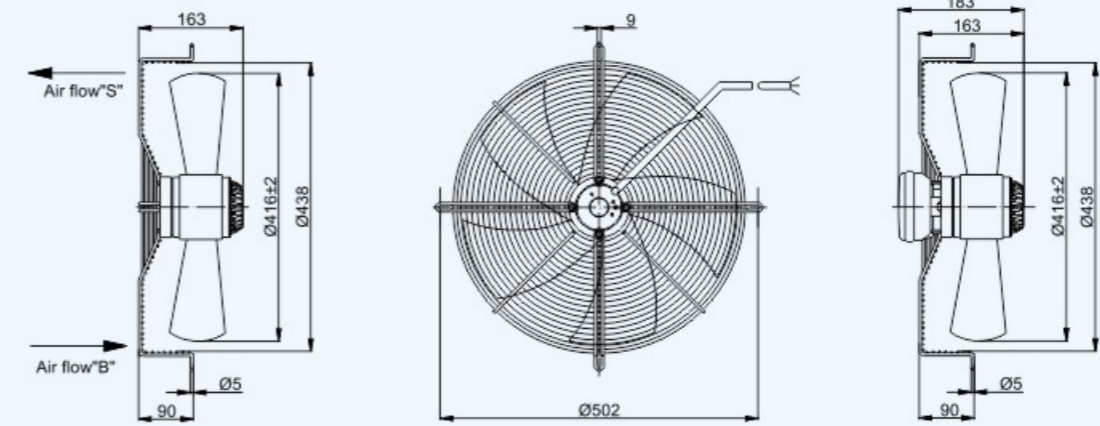
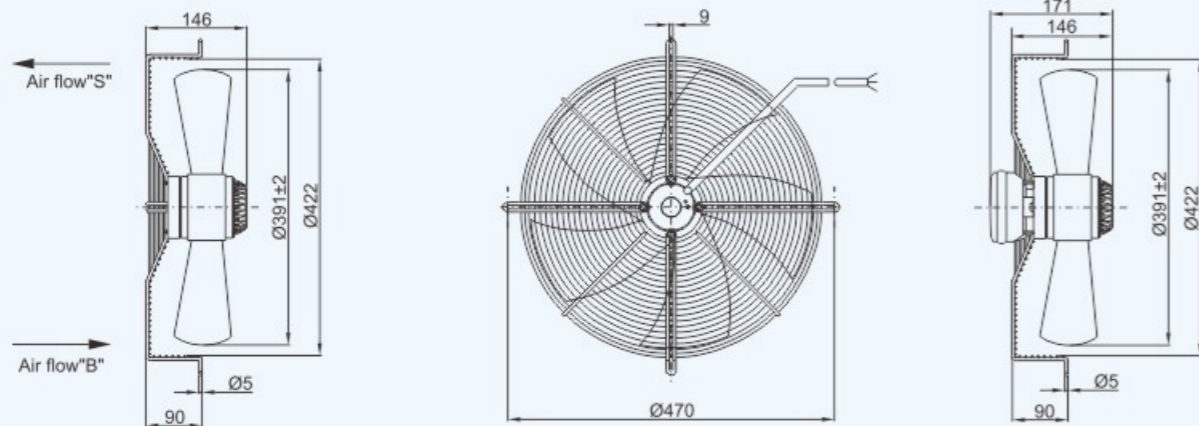
φ 420



NO.	Pst (Pa)	Fre (Hz)	P1 (W)	I (A)
①	30	50	210	0.96
	70	50	260	1.2
②	30	50	190	0.45
	90	50	240	0.56

NO.	Pst (Pa)	Fre (Hz)	P1 (W)	I (A)
③	30	50/60	150/185	0.68/0.82
	60	50/60	165/203	0.72/0.88
④	30	50/60	150/178	0.48/0.45
	70	50/60	175/203	0.51/0.5

14



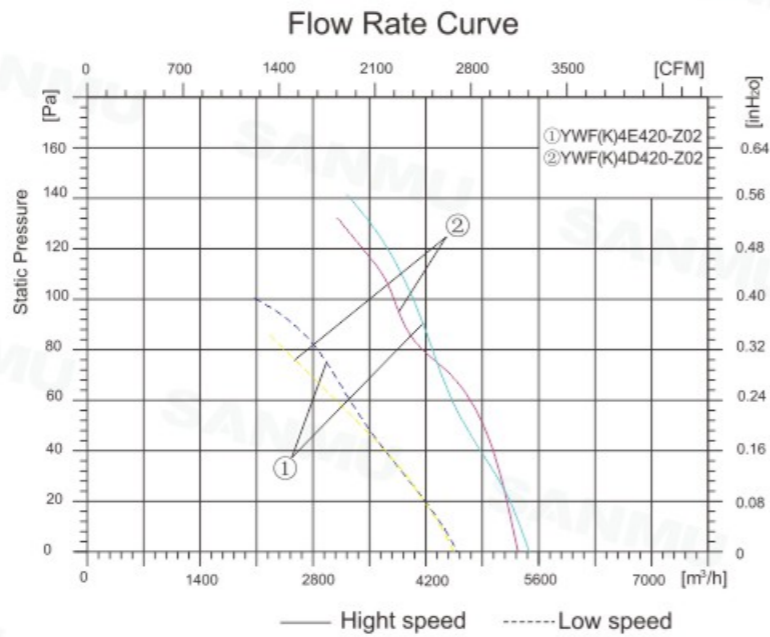
技术参数 Technical Parameter

型号 Model	电压 Voltage (VAC)	频率 Frequency (Hz)	输入功率 Input Power (W)	电流 Current (A)	风量 Air Volume (m³/h)	转速 Speed (r/min)	电容 Capacitor (μF)	噪音 Noise [dB(A)]	允许最高环境温度 Max Environmental Temperature (°C)	重量 Weight (Kg)
YWF(K)4E400-ZX01	230	50/60	180/260	0.81/1.15	3650/4150	1390/1590	6	67/72	65	6.1
YWF(K)4D400-ZX11	380	50/60	190/260	0.46/0.48	3650/4150	1390/1590	/	67/72	65	6.1

技术参数 Technical Parameter

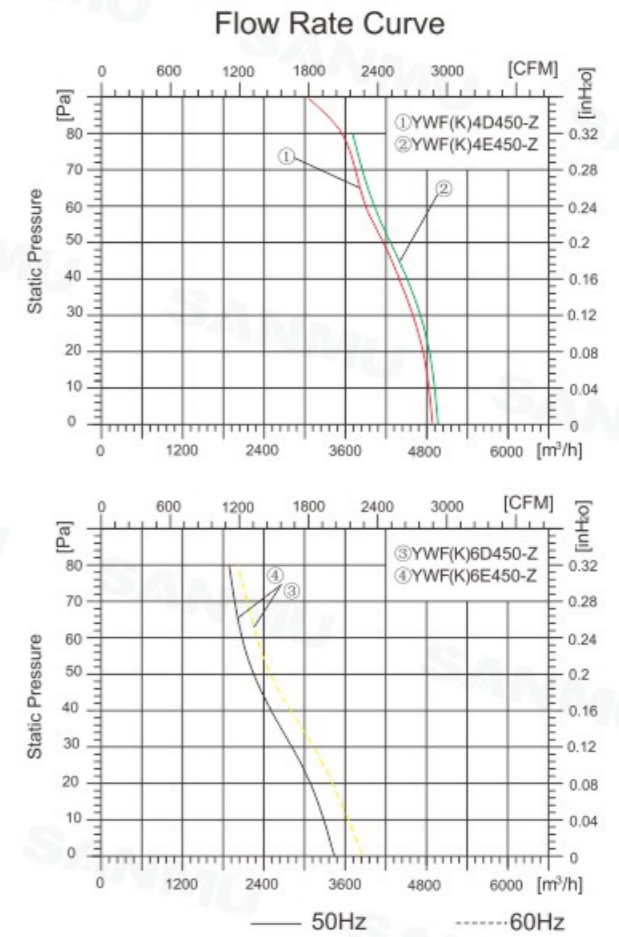
型号 Model	电压 Voltage (VAC)	频率 Frequency (Hz)	输入功率 Input Power (W)	电流 Current (A)	风量 Air Volume (m³/h)	转速 Speed (r/min)	电容 Capacitor (μF)	噪音 Noise [dB(A)]	允许最高环境温度 Max Environmental Temperature (°C)	重量 Weight (Kg)
YWF(K)4E420-Z	230	50	250	1.15	4200	1380	8	68	55	6.7
YWF(K)4D420-Z	380	50	250	0.58	4200	1350	/	68	55	6.7
YWF(K)6E420-Z	230	50/60	150/185	0.68/0.82	3100/3500	900/1000	4	60/63	55	6.7
YWF(K)6D420-Z	380	50/60	150/180	0.48/0.46	3100/3500	930/1050	/	61/64	55	6.7

φ 420



NO.	Pst (Pa)	Fre (Hz)	P1 (W)	I (A)
① High Speed	40	50	380	1.7
	150	50	460	2.1
② High Speed	40	50	326	0.61
	150	50	430	0.75

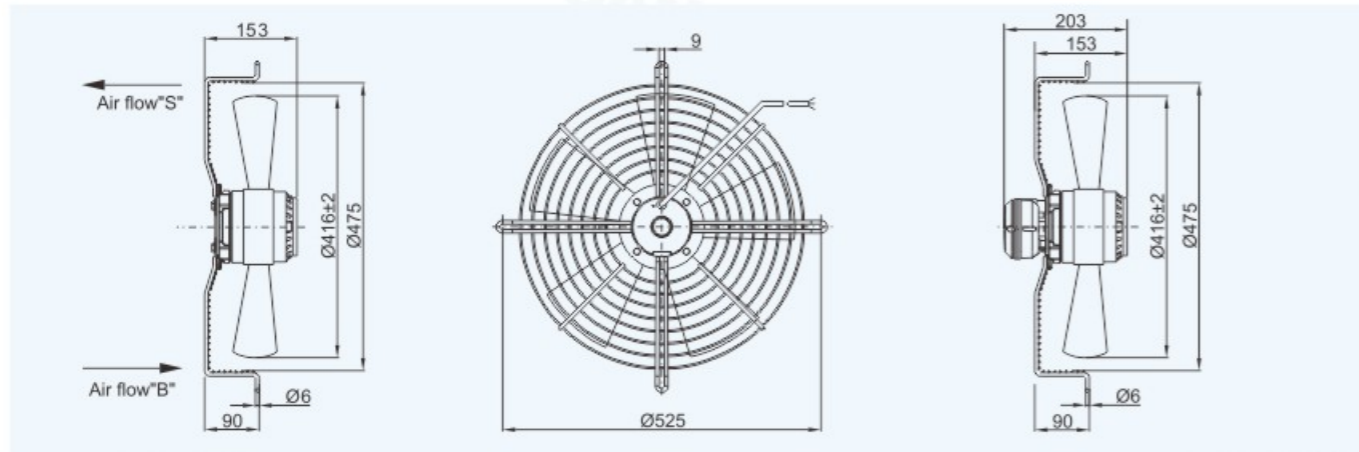
φ 450



NO.	Pst (Pa)	Fre (Hz)	P1 (W)	I (A)
①	20	50	250	0.58
	80	50	307	0.65
②	20	50	227	1.0
	80	50	266	1.21

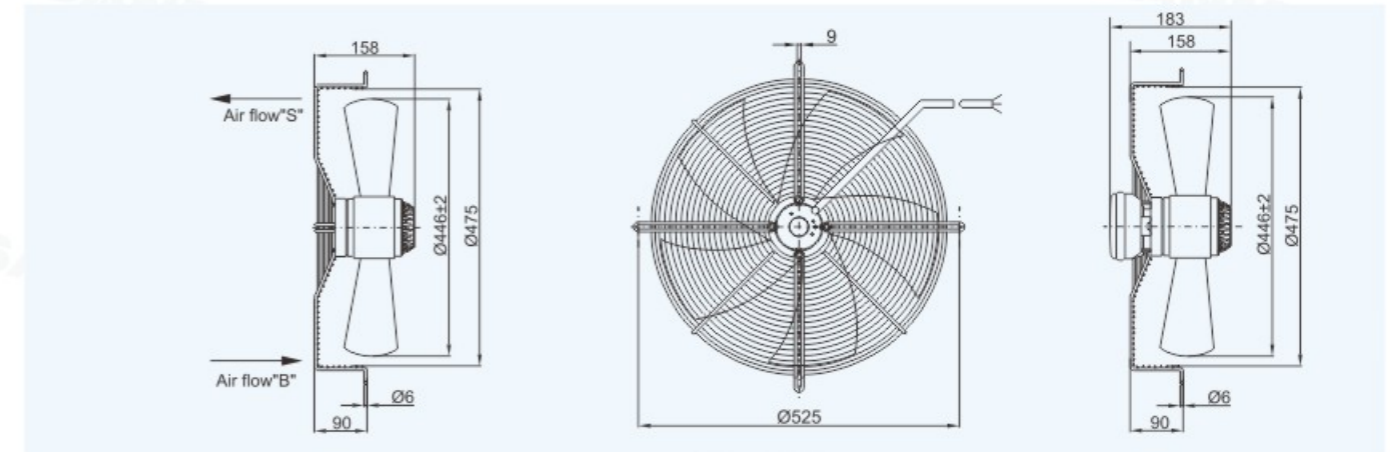
NO.	Pst (Pa)	Fre (Hz)	P1 (W)	I (A)
③	20	50/60	146/173	0.47/0.45
	60	50/60	170/198	0.46/0.48
④	20	50/60	127/153	0.58/0.67
	60	50/60	150/175	0.68/0.76

16



技术参数 Technical Parameter

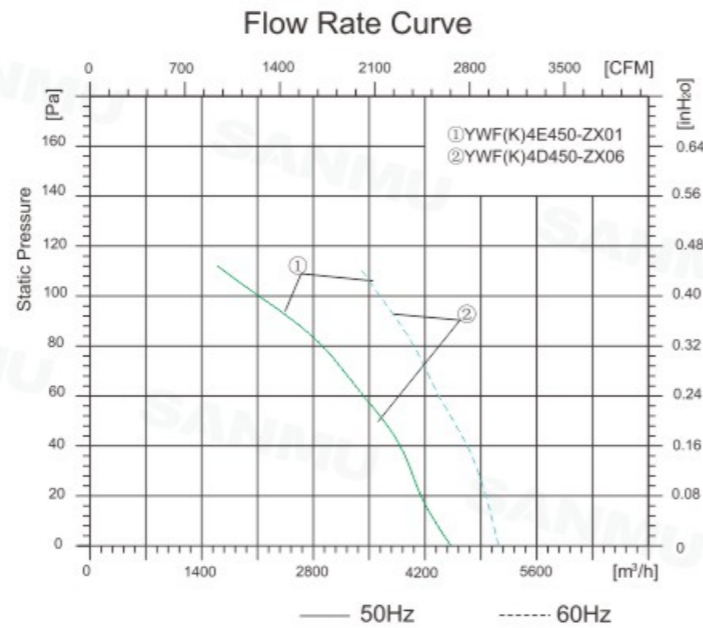
型号 Model	电压 Voltage (VAC)	频率 Frequency (Hz)	输入功率 Input Power (W)	电流 Current (A)	风量 Air Volume (m³/h)	转速 Speed (r/min)	电容 Capacitor (μF)	噪音 Noise [dB(A)]	允许最高环境温度 Max Environmental Temperature (°C)	重量 Weight (Kg)
YWF(K)4E420-Z02	230	50	450/295	2/1.3	5500/4500	1380/1150	16	70/65	60	8
YWF(K)4D420-Z02	400△/Y	50	430/260	0.75/0.41	5300/4500	1350/1150	/	70/65	60	8



技术参数 Technical Parameter

型号 Model	电压 Voltage (VAC)	频率 Frequency (Hz)	输入功率 Input Power (W)	电流 Current (A)	风量 Air Volume (m³/h)	转速 Speed (r/min)	电容 Capacitor (μF)	噪音 Noise [dB(A)]	允许最高环境温度 Max Environmental Temperature (°C)	重量 Weight (Kg)
YWF(K)4D450-Z	380	50	250	0.58	5000	1400	/	68	55	6.9
YWF(K)4E450-Z	230	50	250	1.15	5100	1380	8	71	55	6.9
YWF(K)6D450-Z	380	50/60	150/180	0.48/0.46	3450/3850	930/1050	/	62/65	55	6.9
YWF(K)6E450-Z	230	50/60	150/185	0.68/0.82	3450/3850	900/1050	4	60/65	55	6.9

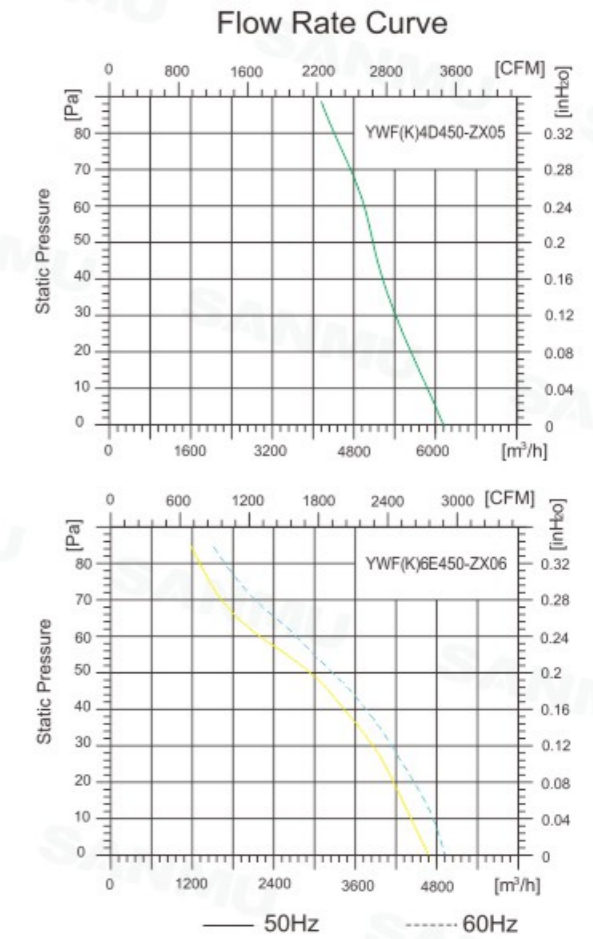
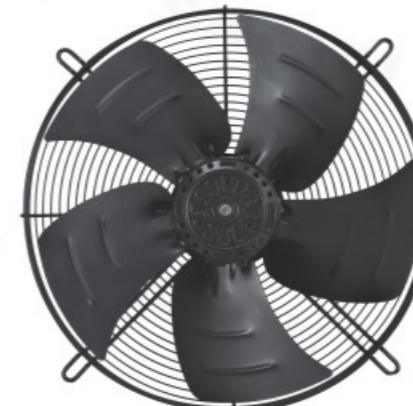
φ 450



NO.	Pst (Pa)	Fre (Hz)	P1 (W)	I (A)
①	20	50	228	1.07
	70	50	254	1.16
②	20	60	297	1.33
	80	60	333	1.48

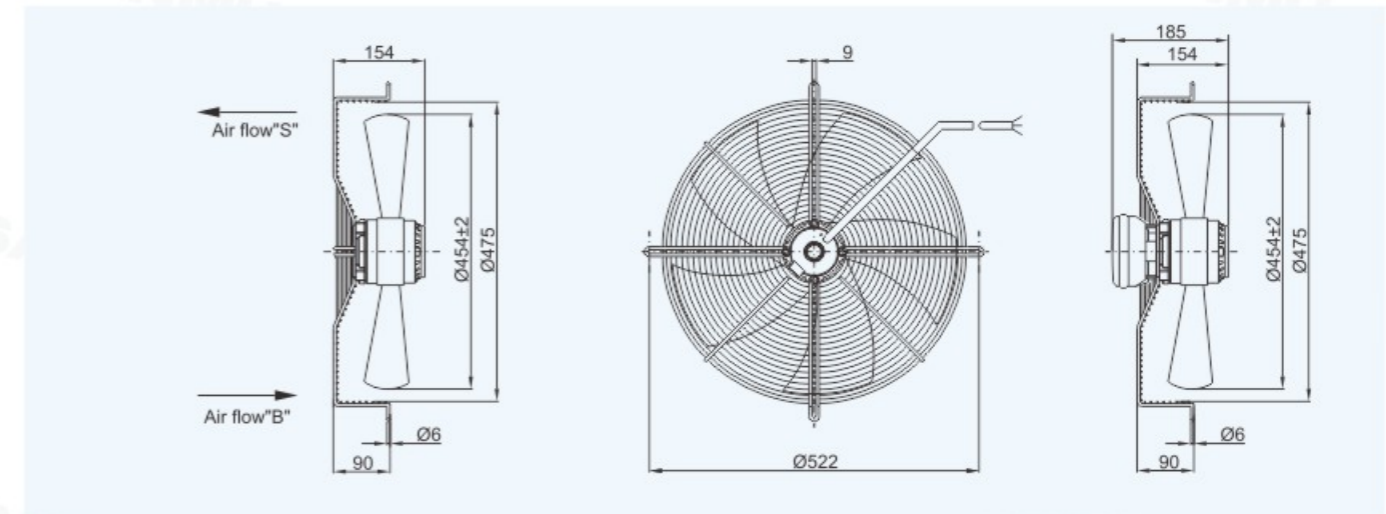
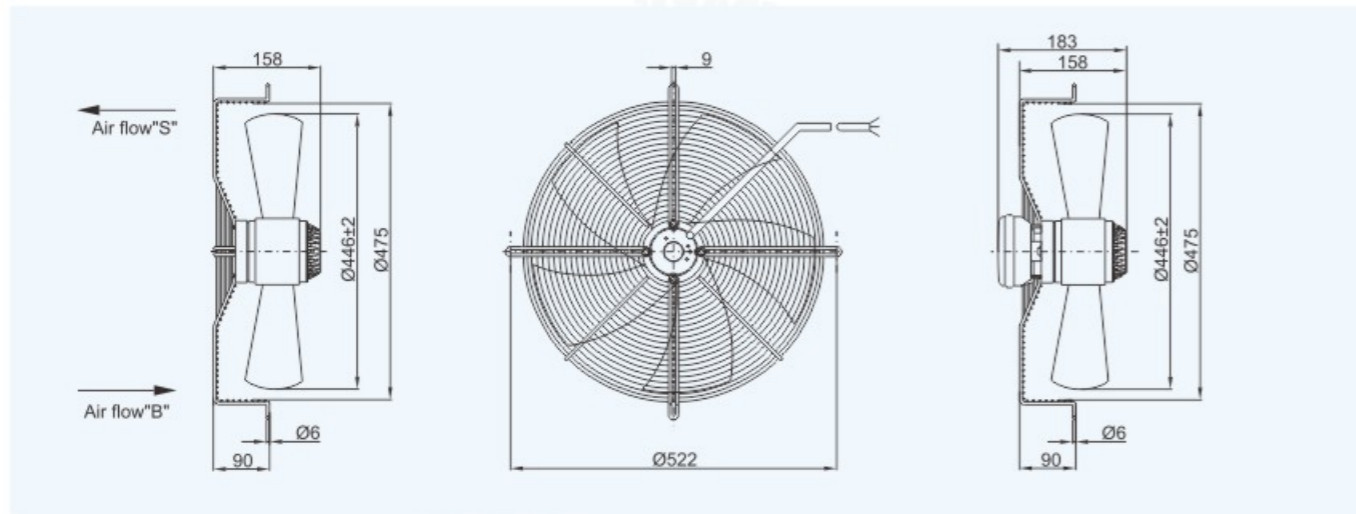
NO.	Pst (Pa)	Fre (Hz)	P1 (W)	I (A)
②	20	50	203	0.49
	70	50	225	0.51
②	20	60	289	0.51
	70	60	323	0.56

φ 450



NO.	Pst (Pa)	Fre (Hz)	P1 (W)	I (A)
①	40	50	430	0.79
	80	50	460	0.82
②	20	50/60	185/200	0.81/0.95
	60	50/60	200/225	0.86/1.0

18



技术参数 Technical Parameter

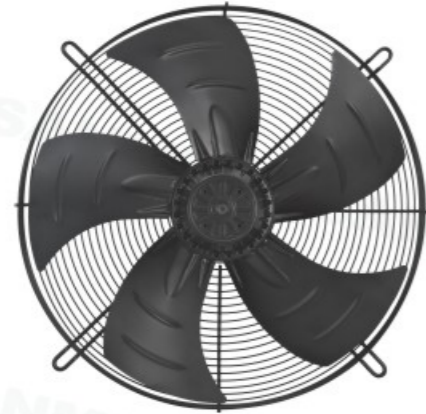
型号 Model	电压 Voltage (VAC)	频率 Frequency (Hz)	输入功率 Input Power (W)	电流 Current (A)	风量 Air Volume (m³/h)	转速 Speed (r/min)	电容 Capacitor (μF)	噪音 Noise [dB(A)]	允许最高环境温度 Max Environmental Temperature (°C)	重量 Weight (Kg)
YWF(K)4E450-ZX01	230	50/60	250/360	1.15/1.6	4400/5200	1430/1660	8	71/74	60	6.9
YWF(K)4D450-ZX06	380	50/60	250/350	0.53/0.57	4400/5200	1410/1630	/	68/73	60	6.9

技术参数 Technical Parameter

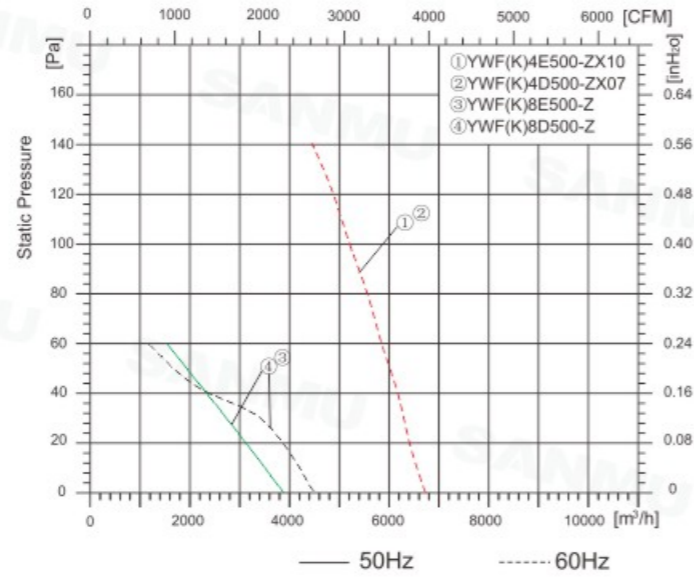
型号 Model	电压 Voltage (VAC)	频率 Frequency (Hz)	输入功率 Input Power (W)	电流 Current (A)	风量 Air Volume (m³/h)	转速 Speed (r/min)	电容 Capacitor (μF)	噪音 Noise [dB(A)]	允许最高环境温度 Max Environmental Temperature (°C)	重量 Weight (Kg)
YWF(K)4D450-ZX05	400	50	460	0.82	6200	1320	/	68	55	8.5
YWF(K)6E450-ZX06	230	50/60	200/285	0.86/1.25	4650/5100	900/1000	5	60/63	55	8.5

17

φ 500



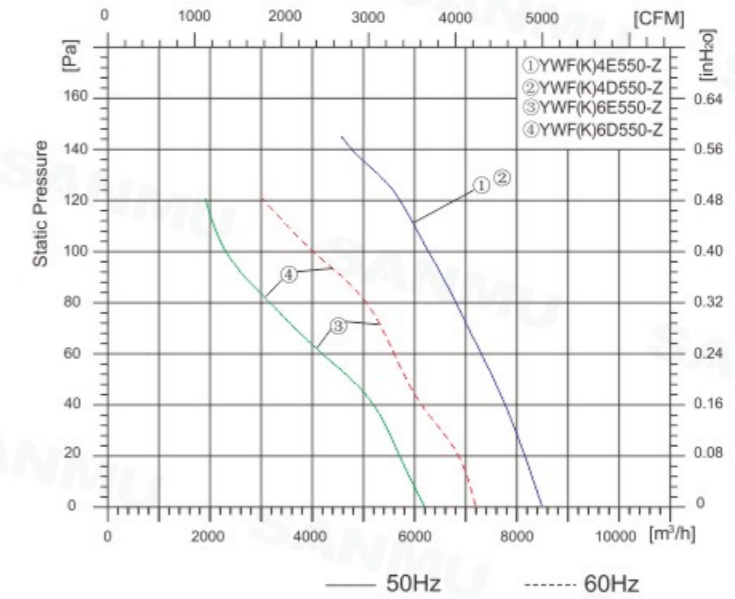
Flow Rate Curve



φ 550



Flow Rate Curve

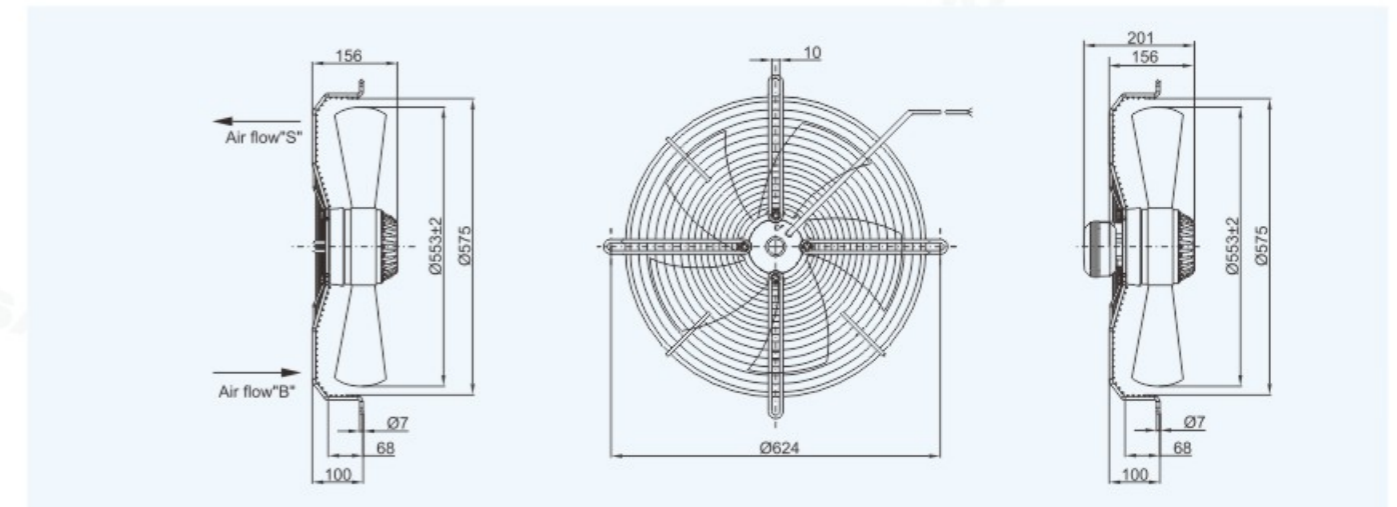
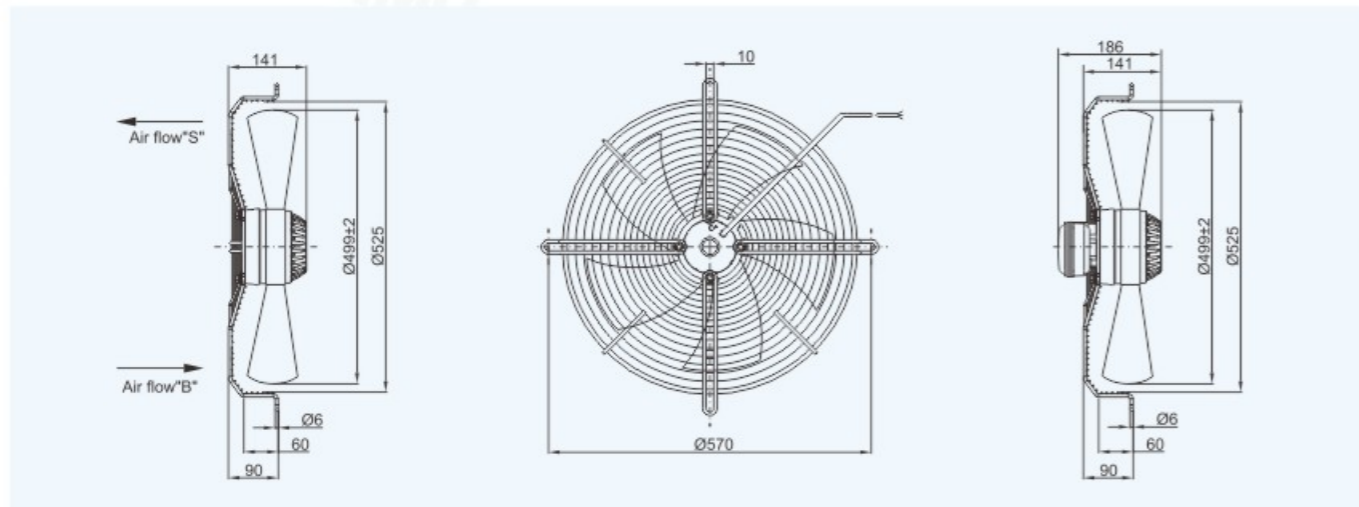


NO.	Pst (Pa)	Fre (Hz)	P1 (W)	I (A)
①	20	60	520	2.43
	100	60	557	2.53
②	20	60	425	0.77
	100	60	520	0.89

NO.	Pst (Pa)	Fre (Hz)	P1 (W)	I (A)
③	10	50/60	95/145	0.42/0.68
	30	50/60	102/148	0.46/0.69
④	10	50/60	112/132	0.30/0.30
	30	50/60	121/142	0.31/0.31

NO.	Pst (Pa)	Fre (Hz)	P1 (W)	I (A)
①	20	50	451	1.98
	150	50	577	2.48
②	20	50	464	0.95
	180	50	636	1.14

NO.	Pst (Pa)	Fre (Hz)	P1 (W)	I (A)
③	20	50/60	263/332	1.4/1.48
	110	50/60	330/420	1.68/1.83
④	20	50/60	264/327	0.82/0.76
	100	50/60	330/410	0.87/0.87



技术参数 Technical Parameter

型号 Model	电压 Voltage (VAC)	频率 Frequency (Hz)	输入功率 Input Power (W)	电流 Current (A)	风量 Air Volume (m³/h)	转速 Speed (r/min)	电容 Capacitor (μF)	噪音 Noise [dB(A)]	允许最高环境温度 Max Environmental Temperature (°C)	重量 Weight (Kg)
YWF(K)4E500-ZX10	230	60	550	2.5	6750	1590	12	76	50	9.5
YWF(K)4D500-ZX07	380	60	550	0.93	6750	1550	/	76	50	9.5
YWF(K)8E500-Z	230	50/60	110/150	0.48/0.7	3900/4500	650/730	4	64/66	60	9.5
YWF(K)8D500-Z	380	50/60	110/130	0.30/0.30	3900/4500	690/770	/	65/67	60	9.5

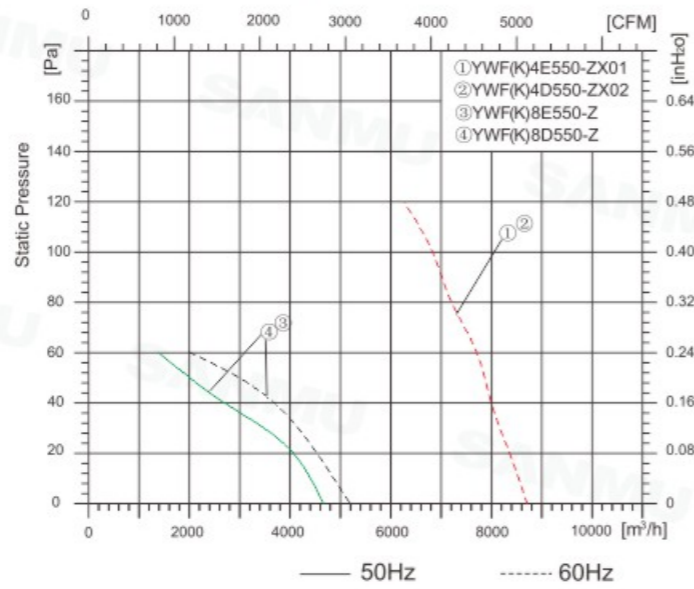
技术参数 Technical Parameter

型号 Model	电压 Voltage (VAC)	频率 Frequency (Hz)	输入功率 Input Power (W)	电流 Current (A)	风量 Air Volume (m³/h)	转速 Speed (r/min)	电容 Capacitor (μF)	噪音 Noise [dB(A)]	允许最高环境温度 Max Environmental Temperature (°C)	重量 Weight (Kg)
YWF(K)4E550-Z	230	50	550	2.45	8500	1310	12	74	50	10.5
YWF(K)4D550-Z	380	50	650	1.2	8500	1300	/	74	50	10.5
YWF(K)6E550-Z	230	50/60	330/420	1.68/1.83	6200/7100	910/1080	10	67/68	60/50	10.5
YWF(K)6D550-Z	380	50/60	330/410	0.87/0.87	6200/7100	900/1070	/	67/68	60/50	10.5

φ 550



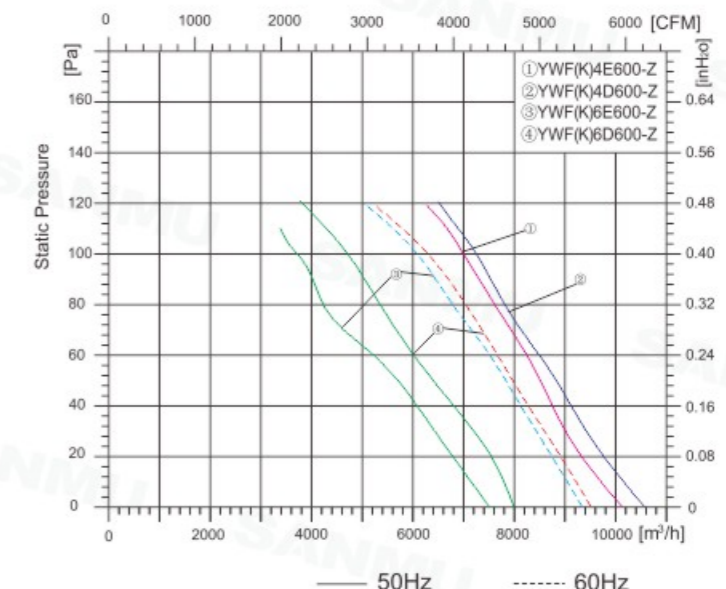
Flow Rate Curve



φ 600

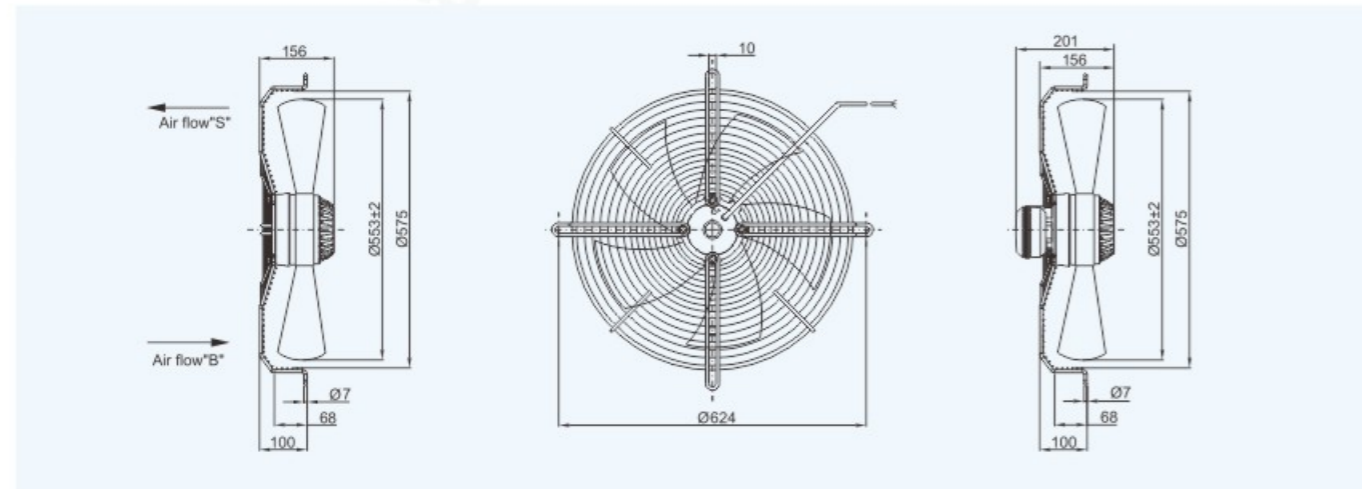


Flow Rate Curve



NO.	Pst (Pa)	Fre (Hz)	P1 (W)	I (A)
①	20	60	633	2.83
	100	60	706	3.07
②	20	60	645	1.09
	100	60	753	1.25

NO.	Pst (Pa)	Fre (Hz)	P1 (W)	I (A)
③	10	50/60	103/168	0.46/0.77
	50	50/60	115/163	0.51/0.73
④	10	50/60	107/132	0.30/0.30
	50	50/60	132/168	0.32/0.36

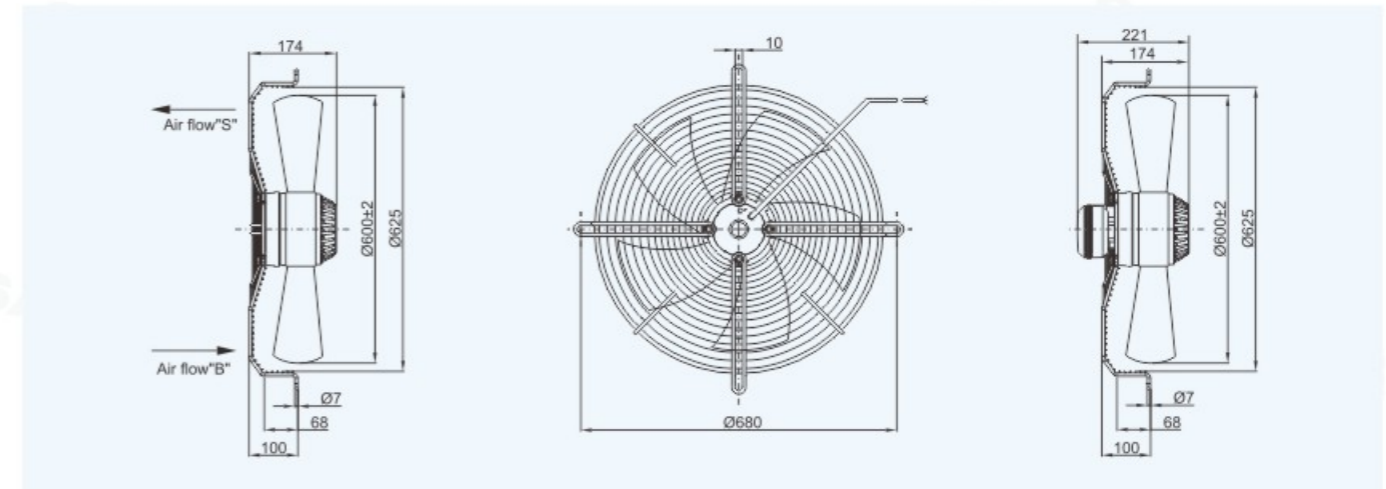


技术参数 Technical Parameter

型号 Model	电压 Voltage (VAC)	频率 Frequency (Hz)	输入功率 Input Power (W)	电流 Current (A)	风量 Air Volume (m³/h)	转速 Speed (r/min)	电容 Capacitor (μF)	噪音 Noise [dB(A)]	允许最高环境温度 Max Environmental Temperature (°C)	重量 Weight (Kg)
YWF(K)4E550-ZX01	230	60	720	3.1	8750	1500	12	78	50	10.5
YWF(K)4D550-ZX02	380	60	750	1.25	8700	1500	/	78	50	10.5
YWF(K)8E550-Z	230	50/60	120/165	0.55/0.75	4500/5150	630/730	4	65/67	60	10.5
YWF(K)8D550-Z	380	50/60	160/200	0.41/0.43	4550/5200	630/730	/	65/67	60	10.5

NO.	Pst (Pa)	Fre (Hz)	P1 (W)	I (A)
①	25	50	783	3.4
	110	50	810	3.5
②	25	50	725	1.83
	110	50	860	1.95

NO.	Pst (Pa)	Fre (Hz)	P1 (W)	I (A)
③	20	50/60	400/500	1.9/2.2
	110	50/60	500/600	2.2/2.8
④	40	50/60	410/500	1.44/1.22
	160/120	50/60	550/600	1.57/1.3



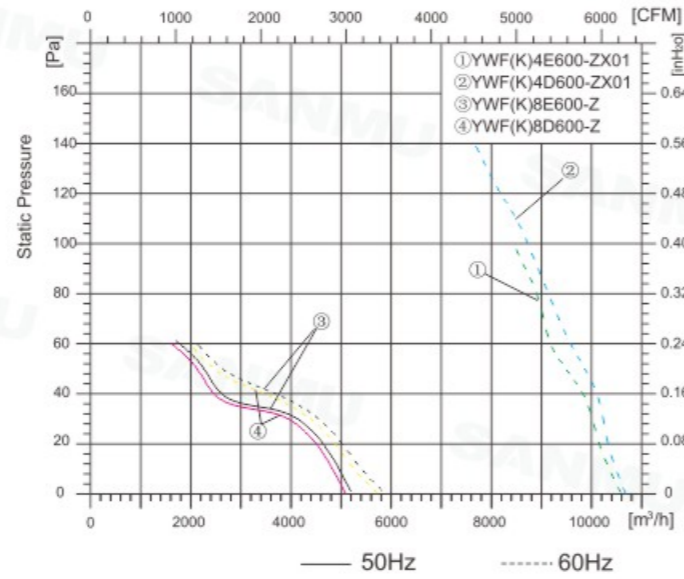
技术参数 Technical Parameter

型号 Model	电压 Voltage (VAC)	频率 Frequency (Hz)	输入功率 Input Power (W)	电流 Current (A)	风量 Air Volume (m³/h)	转速 Speed (r/min)	电容 Capacitor (μF)	噪音 Noise [dB(A)]	允许最高环境温度 Max Environmental Temperature (°C)	重量 Weight (Kg)
YWF(K)4E600-Z	230	50	810	3.5	10300	1315	16	76	50	15
YWF(K)4D600-Z	380	50	860	1.95	10800	1365	/	79	50	15
YWF(K)6E600-Z	230	50/60	500/600	2.2/2.8	7500/9250	900/1030	14	70/71	50	15
YWF(K)6D600-Z	380	50/60	550/600	1.57/1.3	8100/9500	920/1070	/	70/72	50	15

φ 600



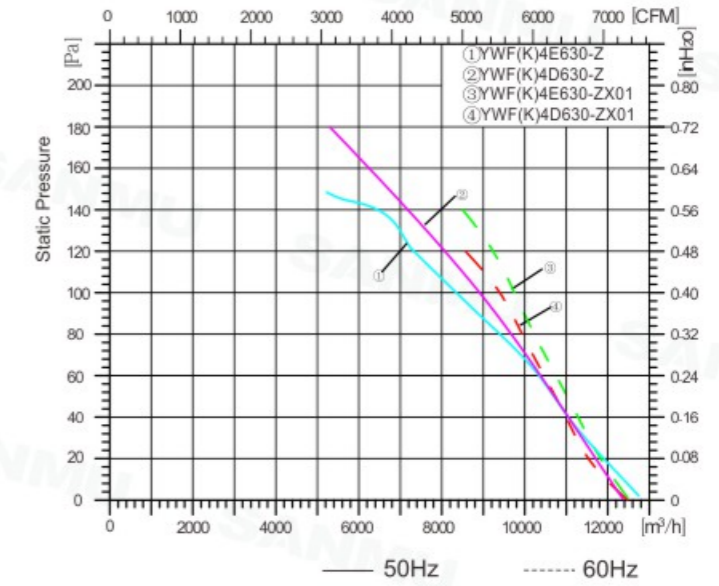
Flow Rate Curve



φ 630

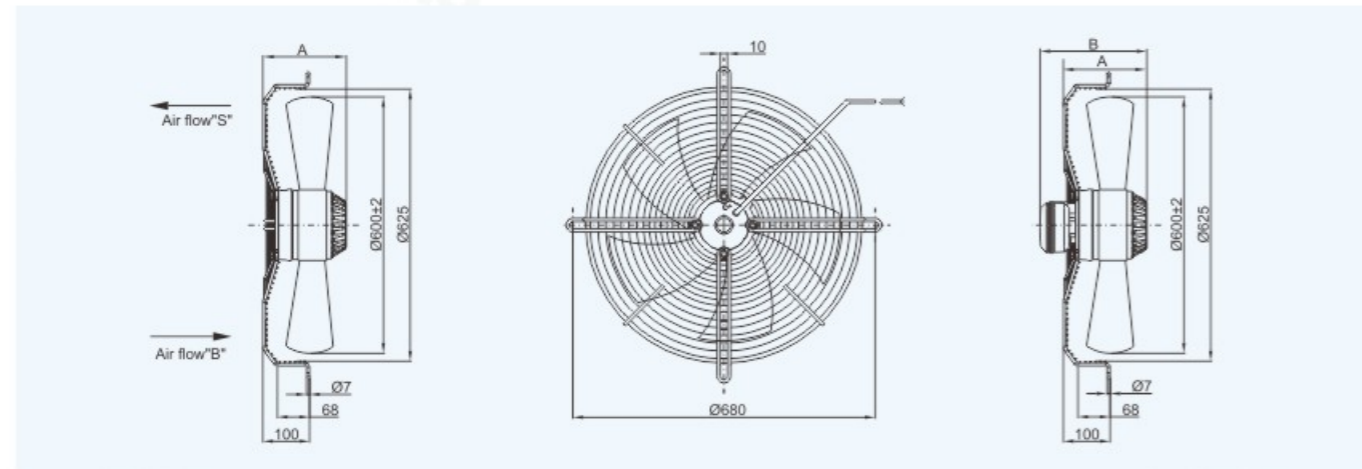


Flow Rate Curve



NO.	Pst (Pa)	Fre (Hz)	P1 (W)	I (A)
①	20	60	877	3.86
	80	60	951	4.17
②	20	60	853	1.60
	100	60	951	1.73

NO.	Pst (Pa)	Fre (Hz)	P1 (W)	I (A)
③	15	50/60	180/222	0.85/0.98
	50	50/60	200/250	1.0/1.1
④	10	50/60	148/184	0.37/0.38
	50	50/60	168/205	0.42/0.47

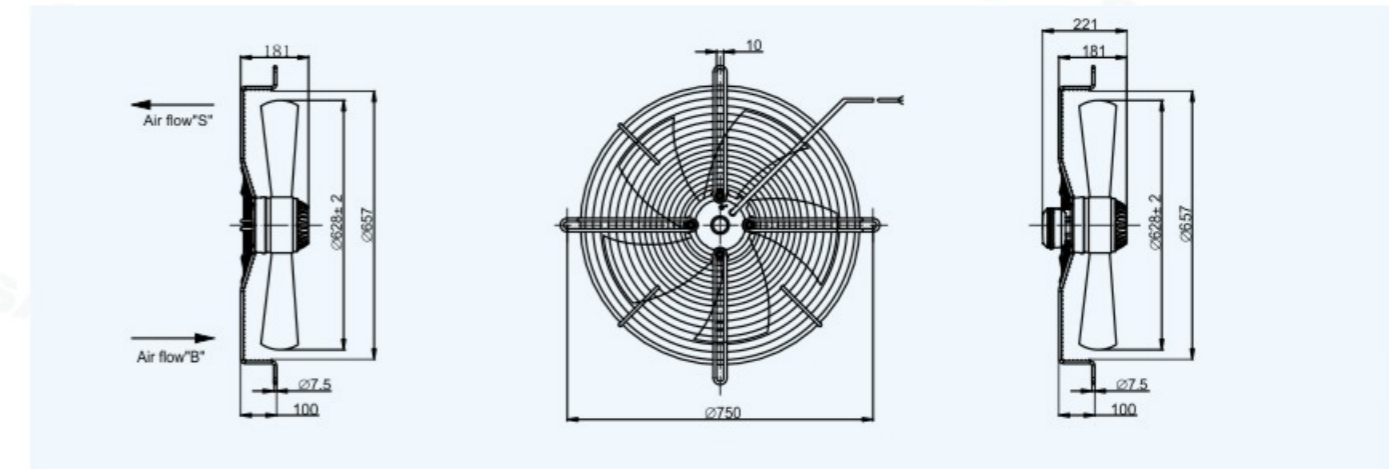


技术参数 Technical Parameter

型号 Model	电压 Voltage (VAC)	频率 Frequency (Hz)	输入功率 Input Power (W)	电流 Current (A)	风量 Air Volume (m³/h)	转速 Speed (r/min)	电容 Capacitor (μF)	噪音 Noise [dB(A)]	允许最高环境温度 Max Environmental Temperature (°C)	重量 Weight (Kg)	A	B
YWF(K)4E600-ZX01	230	60	950	4.15	10650	1550	16	79	50	15	174	221
YWF(K)4D600-ZX01	380	60	950	1.7	10800	1580	/	79	50	15	174	221
YWF(K)8E600-Z	230	50/60	200/250	1.0/1.1	5200/5800	650/710	7	70/71	60	12.5	154	201
YWF(K)8D600-Z	380	50/60	160/200	0.4/0.45	5100/5700	630/680	/	69/70	60	12.5	154	201

NO.	Pst (Pa)	Fre (Hz)	P1 (W)	I (A)
①	30	50	801	3.45
	60	50	845	3.69
②	30	50	730	1.86
	90	50	868	1.96

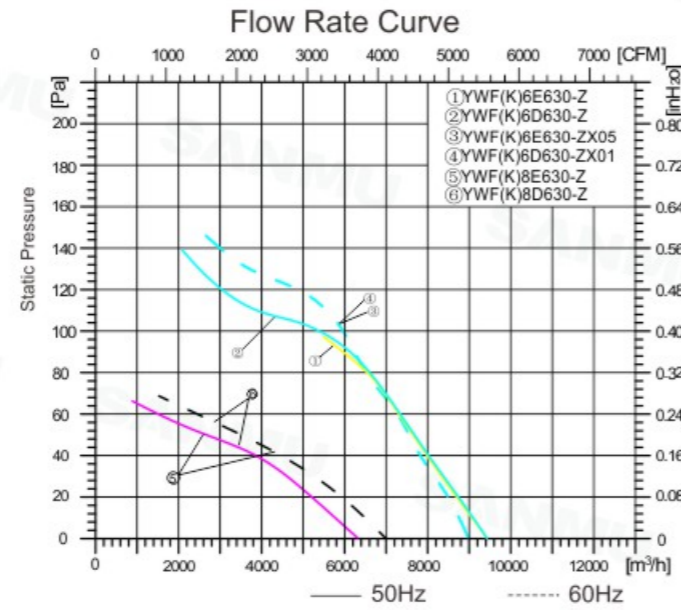
NO.	Pst (Pa)	Fre (Hz)	P1 (W)	I (A)
③	20	60	890	3.95
	60	60	966	4.2
④	20	60	810	1.51
	80	60	941	1.71



技术参数 Technical Parameter

型号 Model	电压 Voltage (VAC)	频率 Frequency (Hz)	输入功率 Input Power (W)	电流 Current (A)	风量 Air Volume (m³/h)	转速 Speed (r/min)	电容 Capacitor (μF)	噪音 Noise [dB(A)]	允许最高环境温度 Max Environmental Temperature (°C)	重量 Weight (Kg)
YWF(K)4E630-Z	230	50	810	3.5	12500	1315	16	78	50	15
YWF(K)4D630-Z	380	50	860	1.95	13000	1365	/	81	50	15
YWF(K)4E630-ZX01	230	60	950	4.15	12500	1550	16	81	50	15
YWF(K)4D630-ZX01	380	60	950	1.7	12500	1580	/	81	50	15

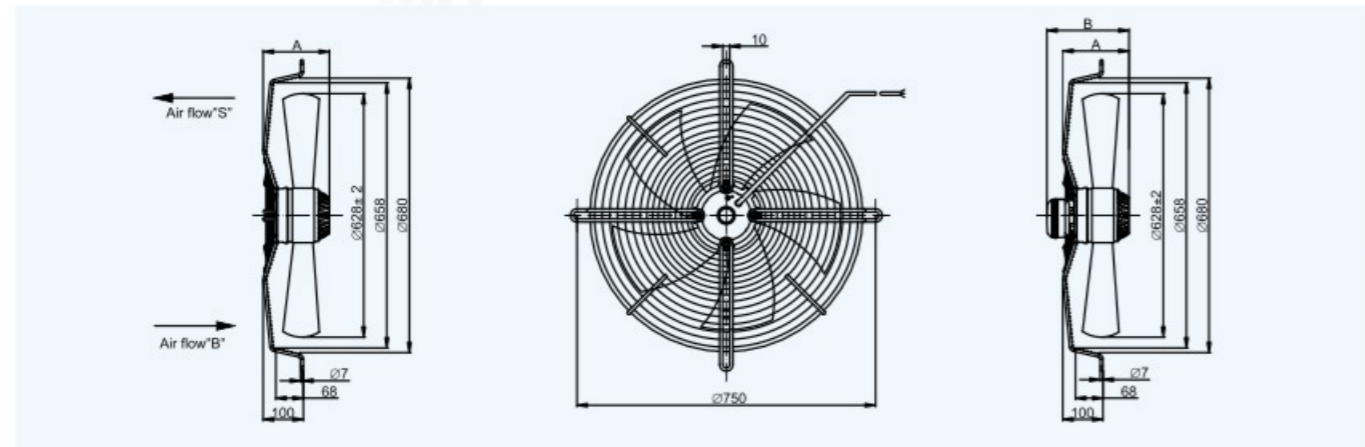
φ 630



NO.	Pst (Pa)	Fre (Hz)	P1 (W)	I (A)
①	15	50	362	1.75
	110	50	455	2.09
②	15	50	369	1.4
	110	50	485	1.41

NO.	Pst (Pa)	Fre (Hz)	P1 (W)	I (A)
③	20	60	444	2.0
	120	60	527	2.34
④	20	60	366	1.1
	120	60	550	1.3

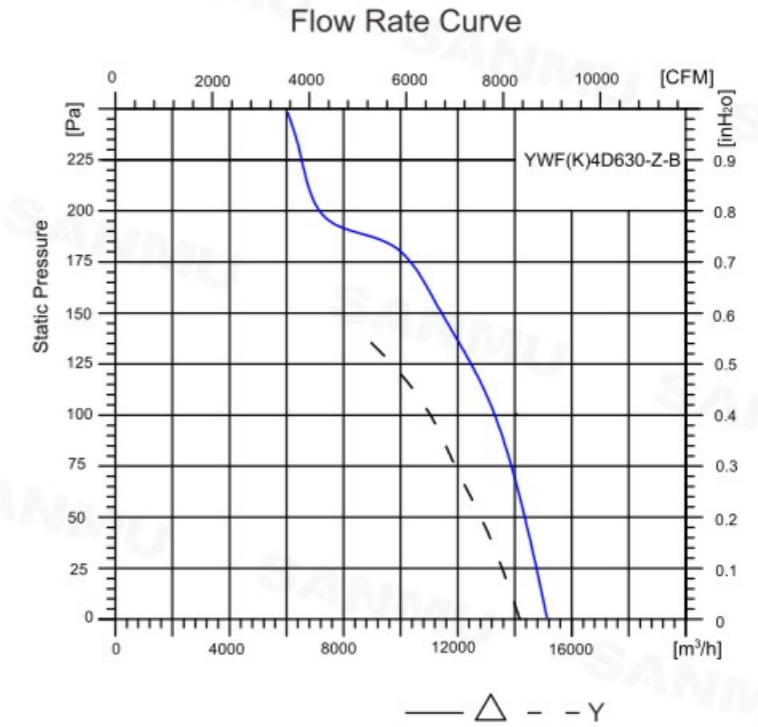
NO.	Pst (Pa)	Fre (Hz)	P1 (W)	I (A)
⑤	10	50/60	180/222	0.85/0.98
	40	50/60	200/250	1.0/1.1
⑥	10	50/60	148/184	0.37/0.38
	50	50/60	168/220	0.42/0.47



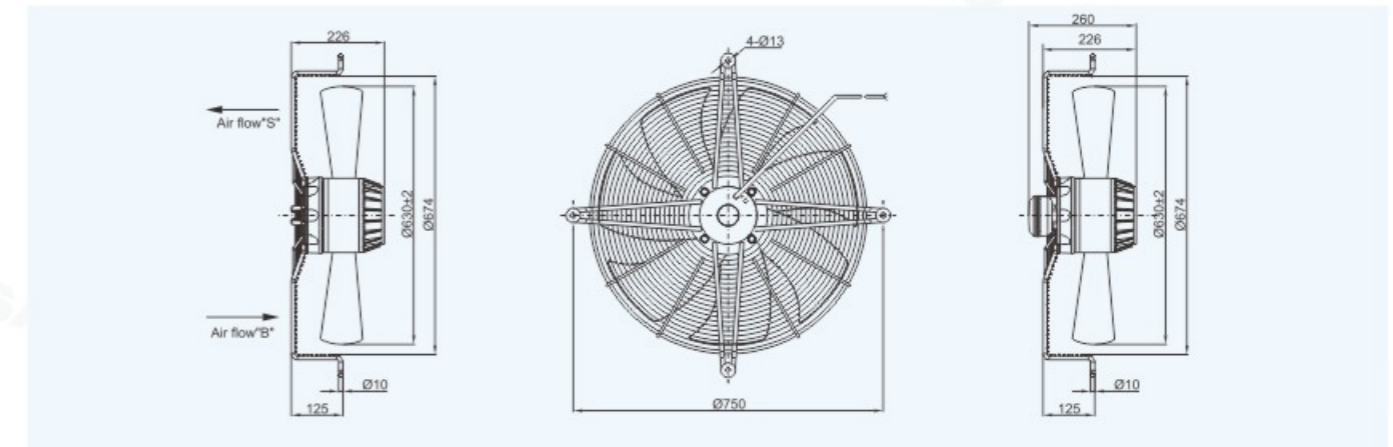
技术参数 Technical Parameter

型号 Model	电压 Voltage (VAC)	频率 Frequency (Hz)	输入功率 Input Power (W)	电流 Current (A)	风量 Air Volume (m³/h)	转速 Speed (r/min)	电容 Capacitor (μF)	噪音 Noise [dB(A)]	允许最高环境温度 Max Environmental Temperature (°C)	重量 Weight (Kg)	A	B
YWF(K)6E630-Z	230	50	500	2.2	9600	930	14	75	50	15	181	221
YWF(K)6D630-Z	380	50	550	1.57	9580	920	/	75	50	15	181	221
YWF(K)6E630-ZX05	230	60	580	2.6	9000	1050	14	76	60	15	181	221
YWF(K)6D630-ZX01	380	60	550	1.3	9000	1100	/	76	60	15	181	221
YWF(K)8E630-Z	230	50/60	200/250	1.0/1.1	6200/7000	650/710	7	70/71	60	13.2	161	201
YWF(K)8D630-Z	380	50/60	160/200	0.41/0.45	6100/6900	630/680	/	69/70	60	13.2	161	201

φ 630



NO.	Pst (Pa)	Fre (Hz)	P1 (W)	I (A)
Δ	60	50	1590	2.79
	200	50	1657	2.88
Y	50	50	1358	2.1
	100	50	1432	2.3



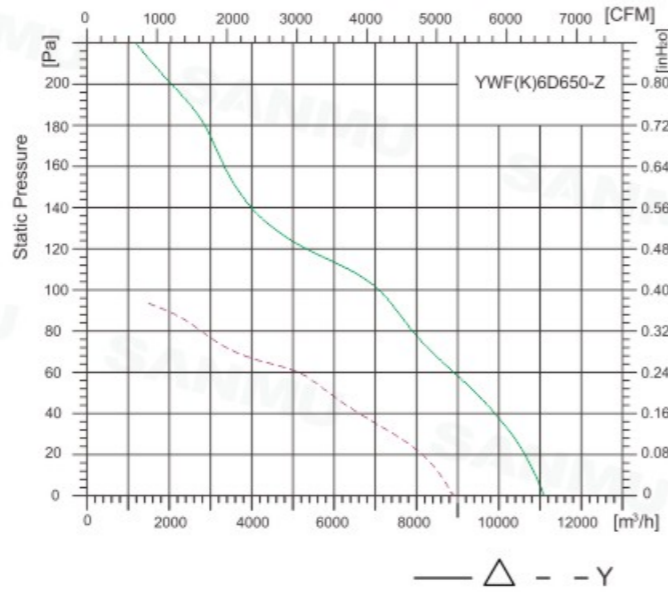
技术参数 Technical Parameter

型号 Model	电压 Voltage (VAC)	频率 Frequency (Hz)	输入功率 Input Power (W)	电流 Current (A)	风量 Air Volume (m³/h)	转速 Speed (r/min)	电容 Capacitor (μF)	噪音 Noise [dB(A)]	允许最高环境温度 Max Environmental Temperature (°C)	重量 Weight (Kg)
YWF(K)4D630-Z-B	400Δ/Y	50	1900/1400	3.5/2.3	15300/11900	1350/1050	/	81/76	50	22

φ 650

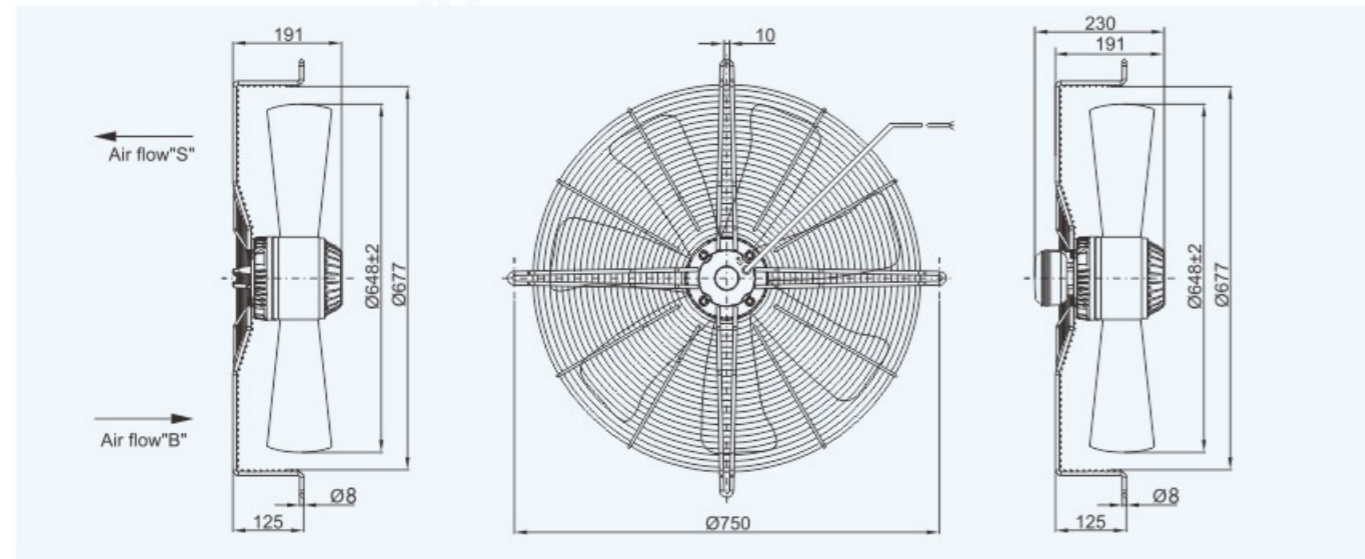


Flow Rate Curve



29

NO.	Pst (Pa)	Fre (Hz)	P1 (W)	I (A)
△	40	50	435	1.27
	120	50	625	1.57
Y	20	50	395	0.74
	45	50	448	0.8



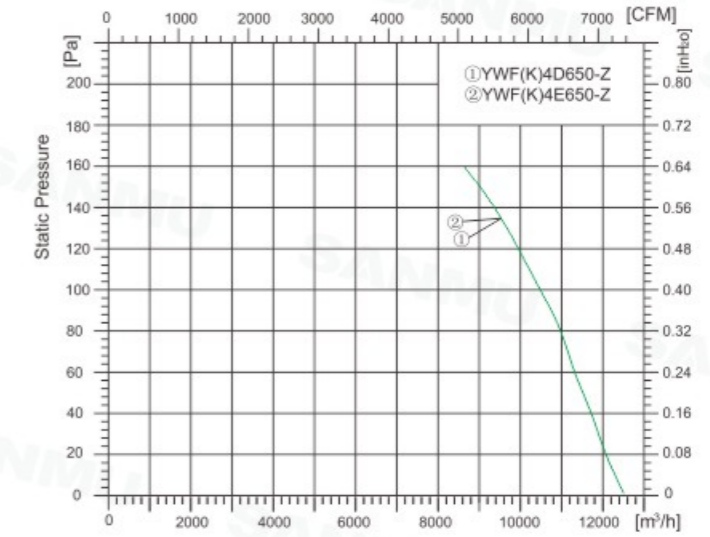
技术参数 Technical Parameter

型号 Model	电压 Voltage (VAC)	频率 Frequency (Hz)	输入功率 Input Power (W)	电流 Current (A)	风量 Air Volume (m³/h)	转速 Speed (r/min)	电容 Capacitor (μF)	噪音 Noise [dB(A)]	允许最高环境温度 Max Environmental Temperature (°C)	重量 Weight (Kg)
YWF(K)6D650-Z	380△/Y	50	600/470	1.5/0.82	11500/9000	900/700	/	76/70	50	18

φ 650

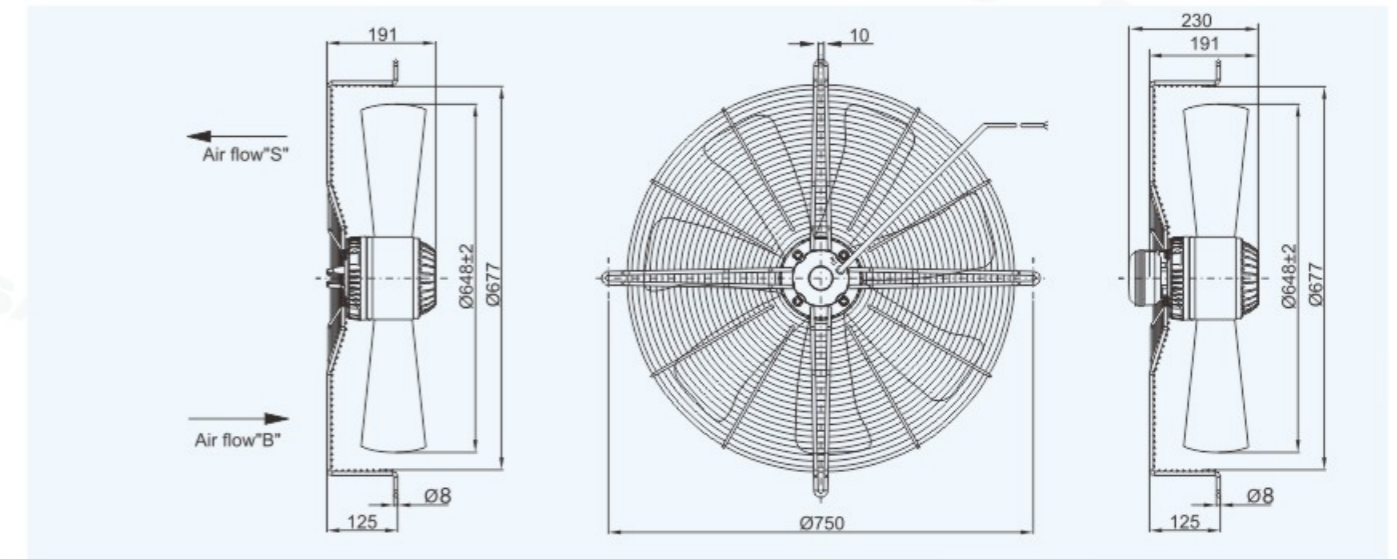


Flow Rate Curve



30

NO.	Pst (Pa)	Fre (Hz)	P1 (W)	I (A)
①	20	50	960	2.17
	120	50	1113	2.30
②	20	50	950	4.35
	120	50	1100	5.03



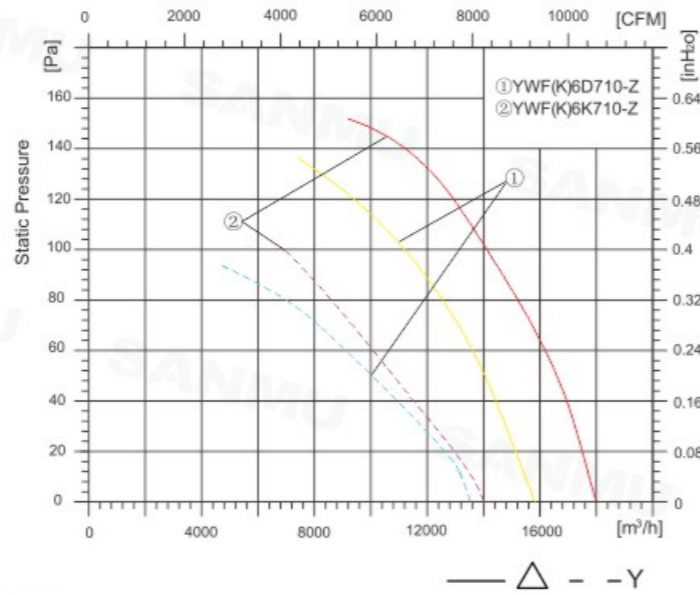
技术参数 Technical Parameter

型号 Model	电压 Voltage (VAC)	频率 Frequency (Hz)	输入功率 Input Power (W)	电流 Current (A)	风量 Air Volume (m³/h)	转速 Speed (r/min)	电容 Capacitor (μF)	噪音 Noise [dB(A)]	允许最高环境温度 Max Environmental Temperature (°C)	重量 Weight (Kg)
YWF(K)4D650-Z	400	50	1100	2.3	12500	1330	/	83	60	18
YWF(K)4E650-Z	230	50	1100	5.1	12500	1330	36	83	60	18

φ 710



Flow Rate Curve



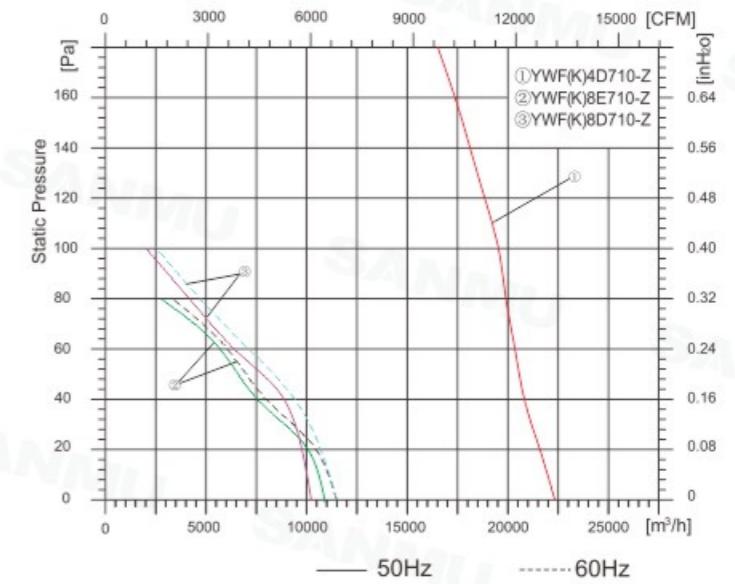
NO.	Pst (Pa)	Fre (Hz)	P1 (W)	I (A)
① Δ	40	50	980	2.12
	130	50	1103	2.35
① Y	30	50	680	1.17
	80	50	720	1.23

NO.	Pst (Pa)	Fre (Hz)	P1 (W)	I (A)
② Δ	40	60	1498	2.52
	130	60	1621	2.68
② Y	30	60	810	1.33
	80	60	850	1.28

φ 710

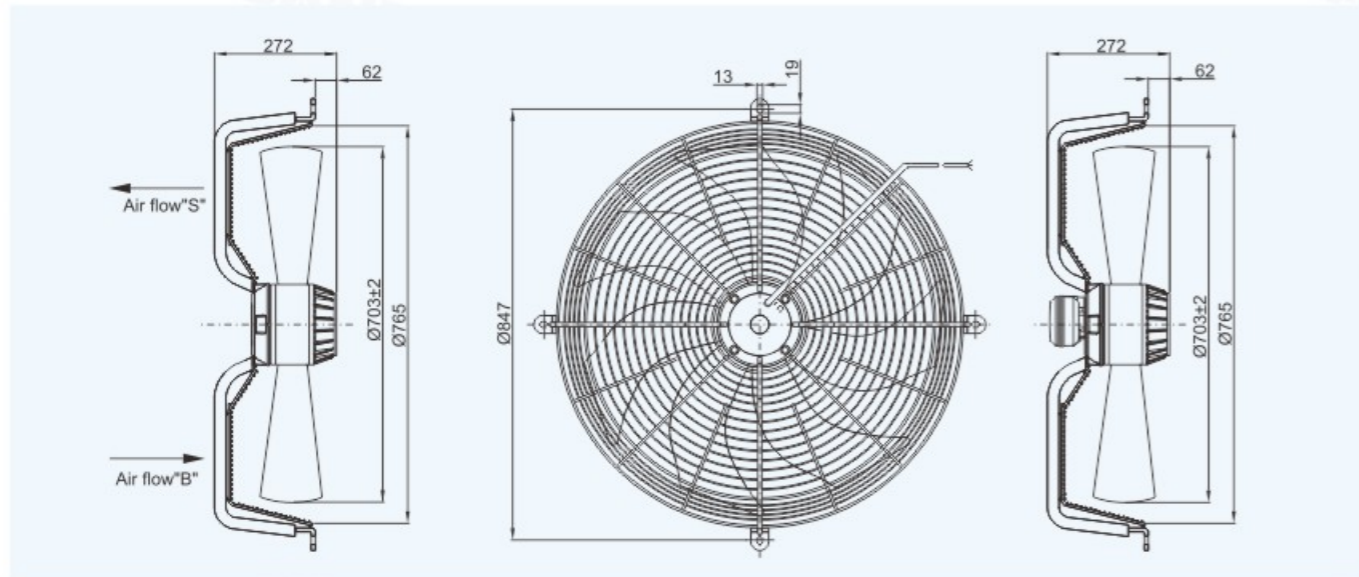


Flow Rate Curve



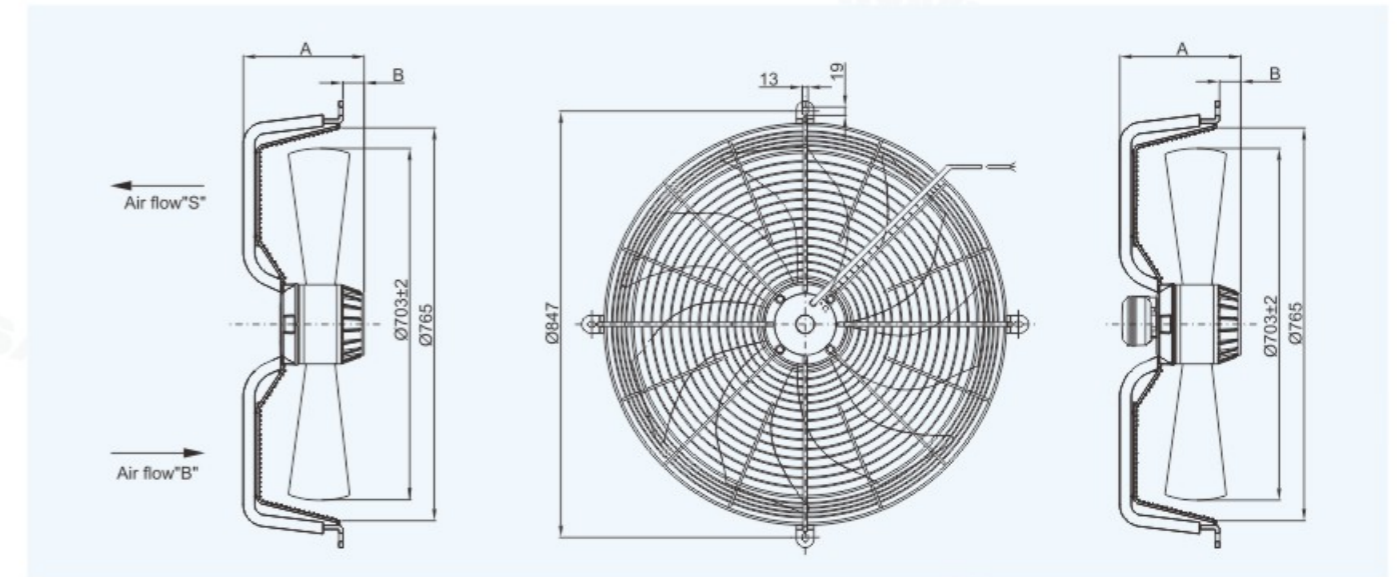
NO.	Pst (Pa)	Fre (Hz)	P1 (W)	I (A)
①	40	50	2552	4.3
	100	50	703	4.49

NO.	Pst (Pa)	Fre (Hz)	P1 (W)	I (A)
②	10	50/60	457/596	2.05/2.59
	80	50/60	503/612	2.23/2.69
③	20	50/60	420/536	0.9/1.13
	100	50/60	501/609	1.03/1.24



技术参数 Technical Parameter

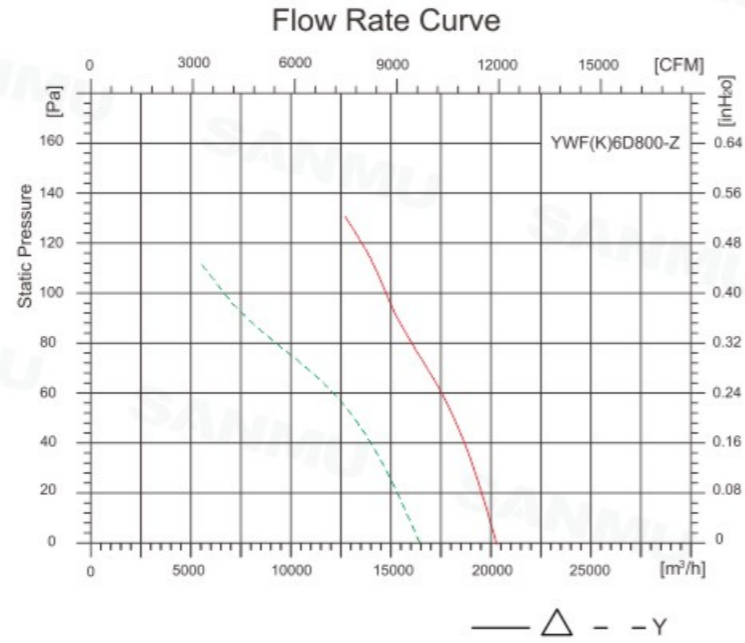
型号 Model	电压 Voltage (VAC)	频率 Frequency (Hz)	输入功率 Input Power (W)	电流 Current (A)	风量 Air Volume (m³/h)	转速 Speed (r/min)	电容 Capacitor (μF)	噪音 Noise [dB(A)]	允许最高环境温度 Max Environmental Temperature (°C)	重量 Weight (Kg)
YWF(K)6D710-Z	400Δ/Y	50	1100/700	2.35/1.2	15800/13500	900/760	/	79/73	50	29
YWF(K)6K710-Z	460Δ/Y	60	1600/950	2.65/1.36	18000/14100	1050/900	/	81/75	50	29



技术参数 Technical Parameter

型号 Model	电压 Voltage (VAC)	频率 Frequency (Hz)	输入功率 Input Power (W)	电流 Current (A)	风量 Air Volume (m³/h)	转速 Speed (r/min)	电容 Capacitor (μF)	噪音 Noise [dB(A)]	允许最高环境温度 Max Environmental Temperature (°C)	重量 Weight (Kg)	A	B
YWF(K)4D710-Z	400	50	2700	4.6	22500	1350	/	87	50	33.2	289	79
YWF(K)8E710-Z	230	50/60	500/610	2.3/2.7	11500/12000	610/630	14	71/72	60	24.6	247	37
YWF(K)8D710-Z	400	50/60	500/610	1.0/1.2	10500/12000	610/660	/	71/73	60	24.6	247	37

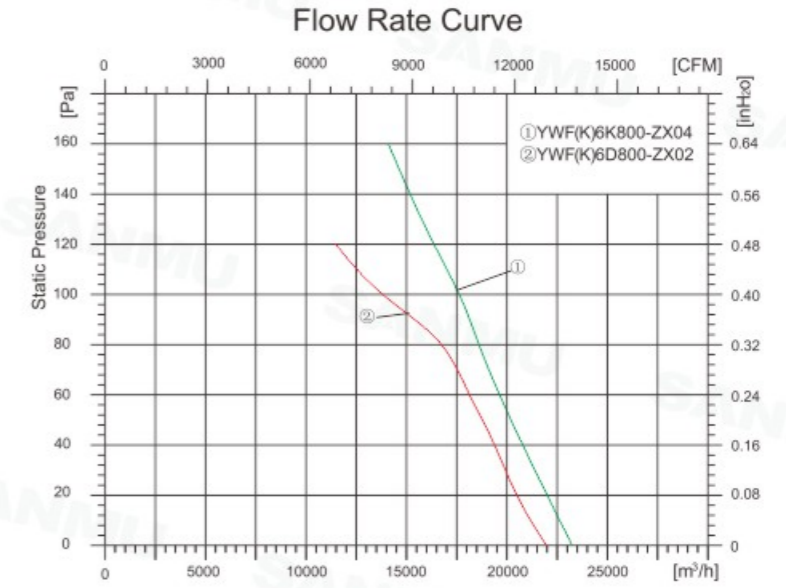
φ 800



33

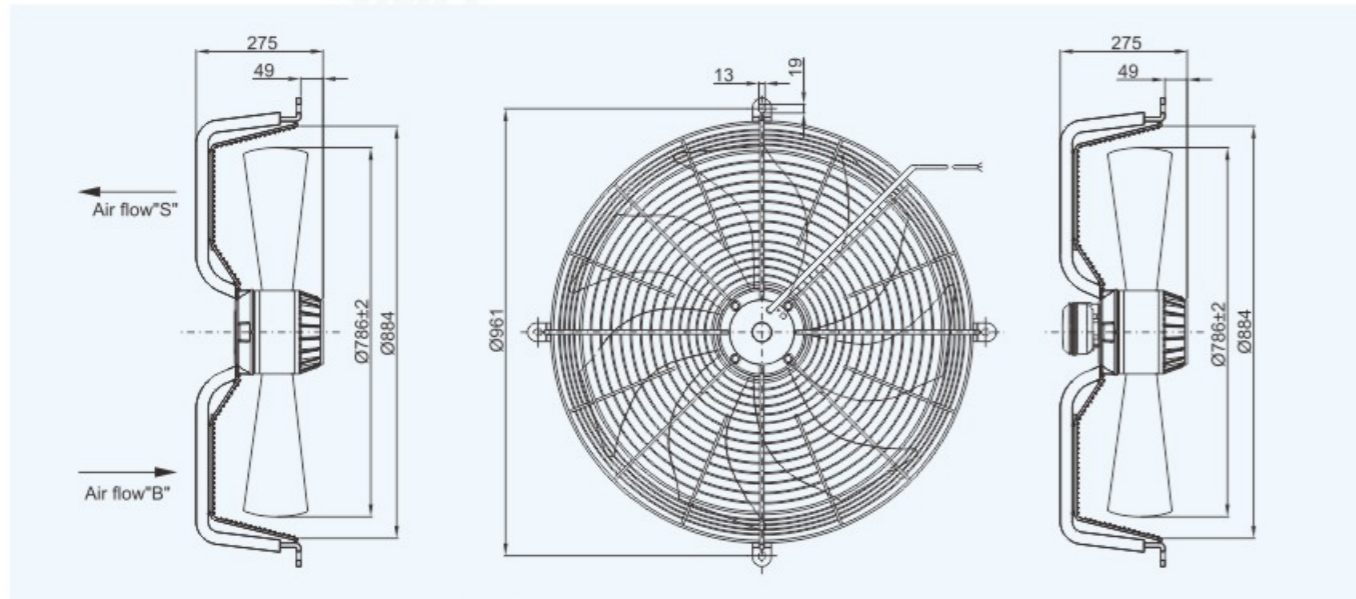
NO.	Pst (Pa)	Fre (Hz)	P1 (W)	I (A)
Δ	40	50	1560	3.34
	140	50	1650	3.65
Y	30	50	958	1.8
	65	50	973	1.85

φ 800



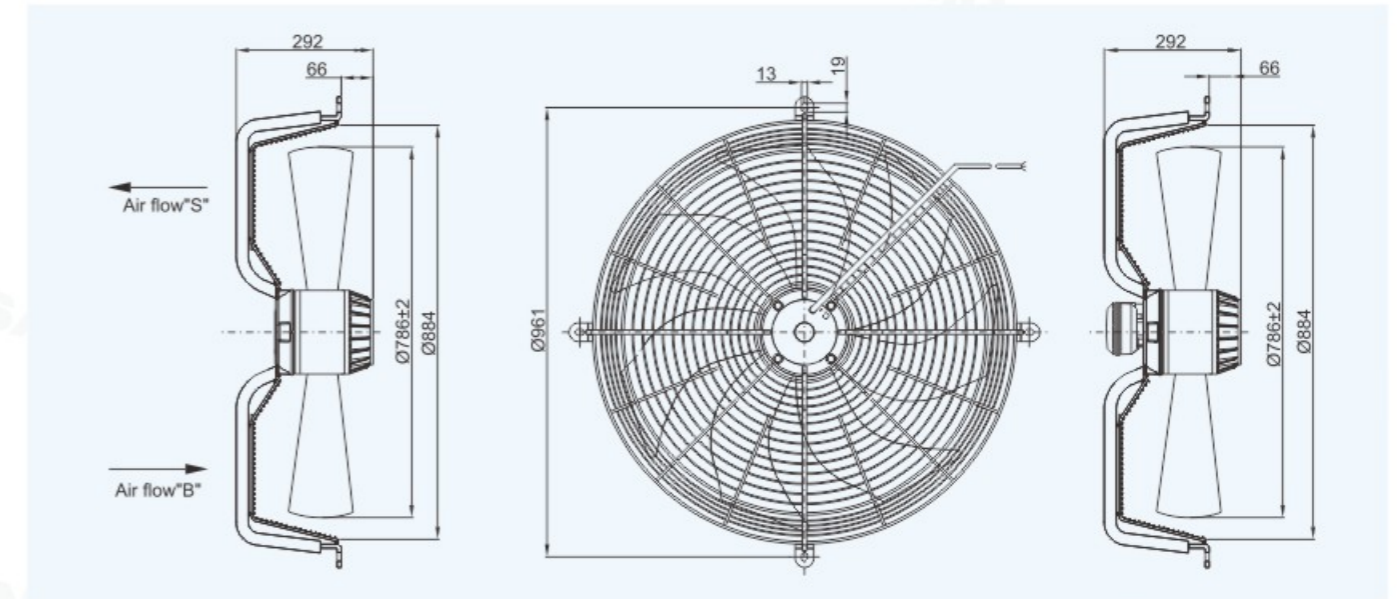
34

NO.	Pst (Pa)	Fre (Hz)	P1 (W)	I (A)
①	60	50	2650	4.4
	150	50	2700	4.5
②	40	50	1833	3.44
	120	50	1894	3.51



技术参数 Technical Parameter

型号 Model	电压 Voltage (VAC)	频率 Frequency (Hz)	输入功率 Input Power (W)	电流 Current (A)	风量 Air Volume (m³/h)	转速 Speed (r/min)	电容 Capacitor (μF)	噪音 Noise [dB(A)]	允许最高环境温度 Max Environmental Temperature (°C)	重量 Weight (Kg)
YWF(K)6D800-Z	400Δ/Y	50	1650/1060	3.65/1.94	20800/15600	880/700	/	80/74	50	31



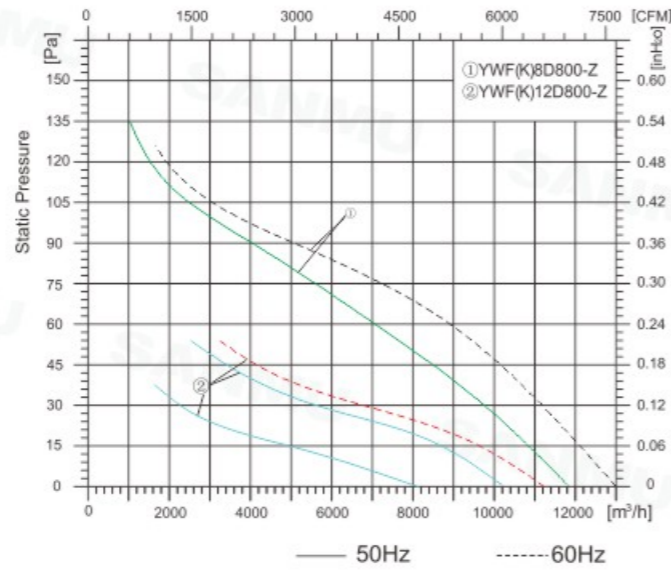
技术参数 Technical Parameter

型号 Model	电压 Voltage (VAC)	频率 Frequency (Hz)	输入功率 Input Power (W)	电流 Current (A)	风量 Air Volume (m³/h)	转速 Speed (r/min)	电容 Capacitor (μF)	噪音 Noise [dB(A)]	允许最高环境温度 Max Environmental Temperature (°C)	重量 Weight (Kg)
YWF(K)6K800-ZX04	460	60	2700	4.5	22900	1070	/	83	50	36
YWF(K)6D800-ZX02	400	50	1900	3.6	22500	875	/	80	55	36

φ 800

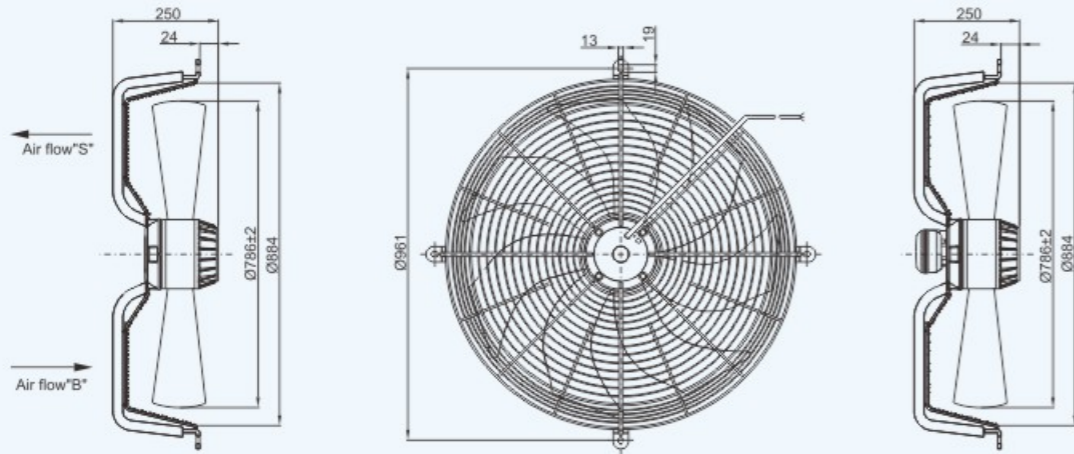


Flow Rate Curve



NO.	Pst (Pa)	Fre (Hz)	P1 (W)	I (A)
①	20	50	452	1.16
	80	50	528	1.22
	20	60	612	1.26
	80	60	645	1.29

NO.	Pst (Pa)	Fre (Hz)	P1 (W)	I (A)
②	10	50/60	331/362	0.98/0.88
	△	40	50/60	337/372
③	0	50/60	162/170	0.36/0.38
	Y	20	50/60	165/176



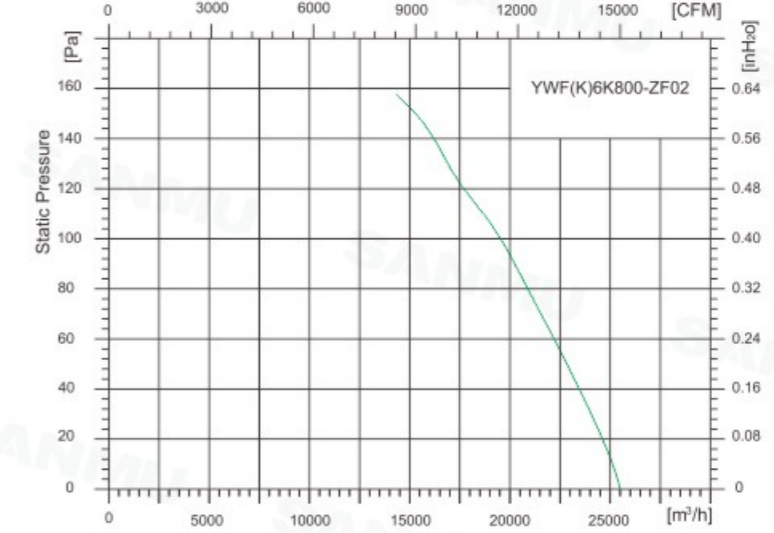
技术参数 Technical Parameter

型号 Model	电压 Voltage (VAC)	频率 Frequency (Hz)	输入功率 Input Power (W)	电流 Current (A)	风量 Air Volume (m³/h)	转速 Speed (r/min)	电容 Capacitor (µF)	噪音 Noise [dB(A)]	允许最高环境温度 Max Environmental Temperature (°C)	重量 Weight (Kg)
YWF(K)8D800-ZX02	400	50/60	600/700	1.3/1.4	12000/13000	630/660	/	71/73	60	27.3
YWF(K)12D800-ZX02	400△	50/60	350/380	1.0/0.95	10500/11500	430/470	/	65/67	60	27.3
	400Y	50/60	180/190	0.45/0.43	8100/7500	330/320	/	63/63	60	

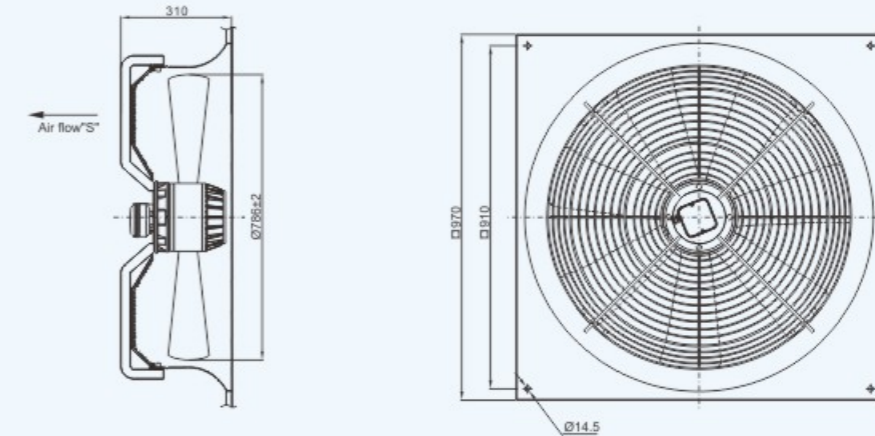
φ 800



Flow Rate Curve



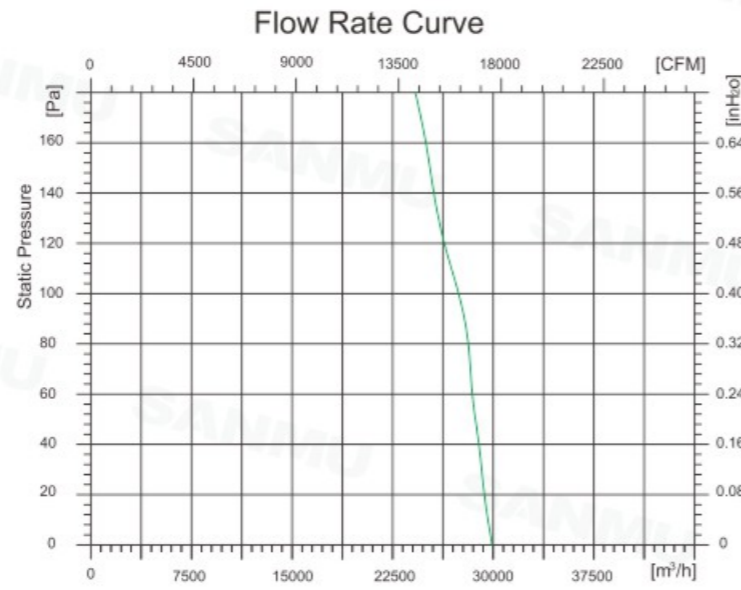
Pst (Pa)	Fre (Hz)	P1 (W)	I (A)
60	60	2680	4.5
150	60	2750	4.6



技术参数 Technical Parameter

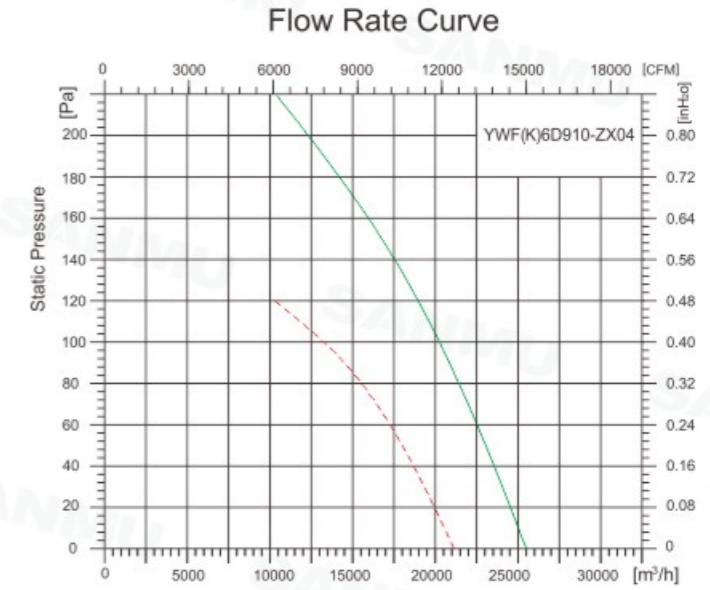
型号 Model	电压 Voltage (VAC)	频率 Frequency (Hz)	输入功率 Input Power (W)	电流 Current (A)	风量 Air Volume (m³/h)	转速 Speed (r/min)	电容 Capacitor (µF)	噪音 Noise [dB(A)]	允许最高环境温度 Max Environmental Temperature (°C)	重量 Weight (Kg)
YWF(K)6K800-ZF02	460	60	2600	3.8	25500	1020	/	82	70	51

φ 800



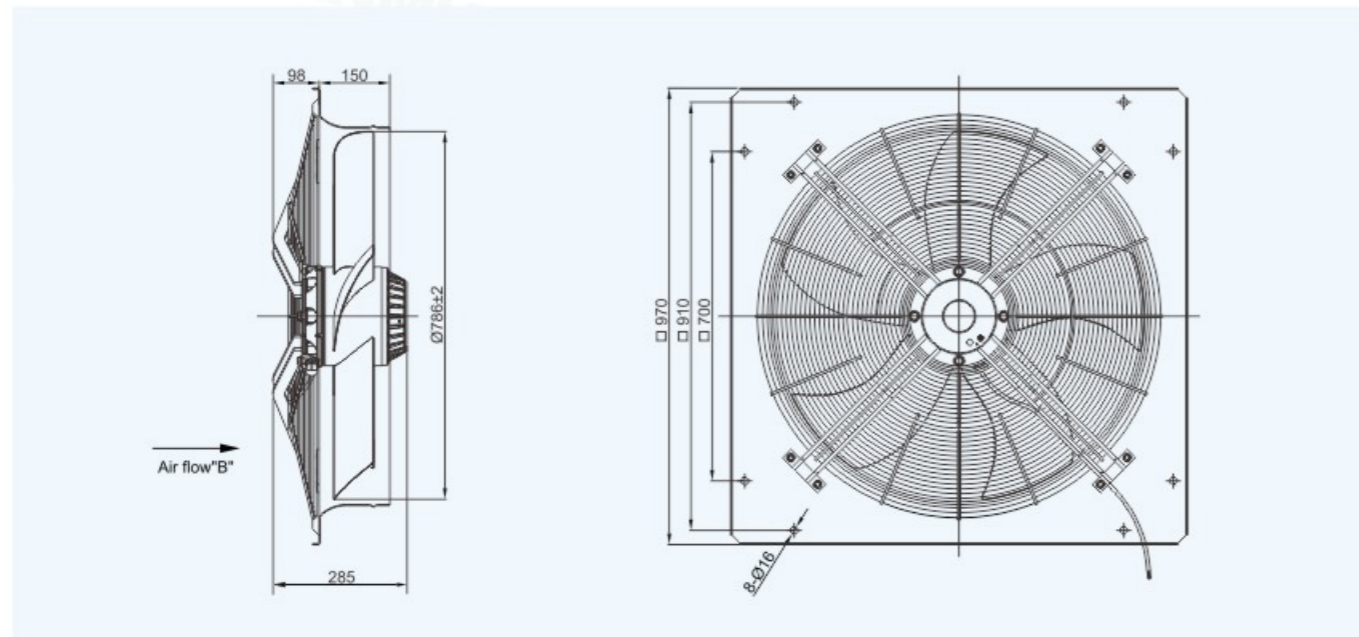
Pst (Pa)	Fre (Hz)	P1 (W)	I (A)
60	50	3852	6.65
150	50	4000	7.0

φ 910



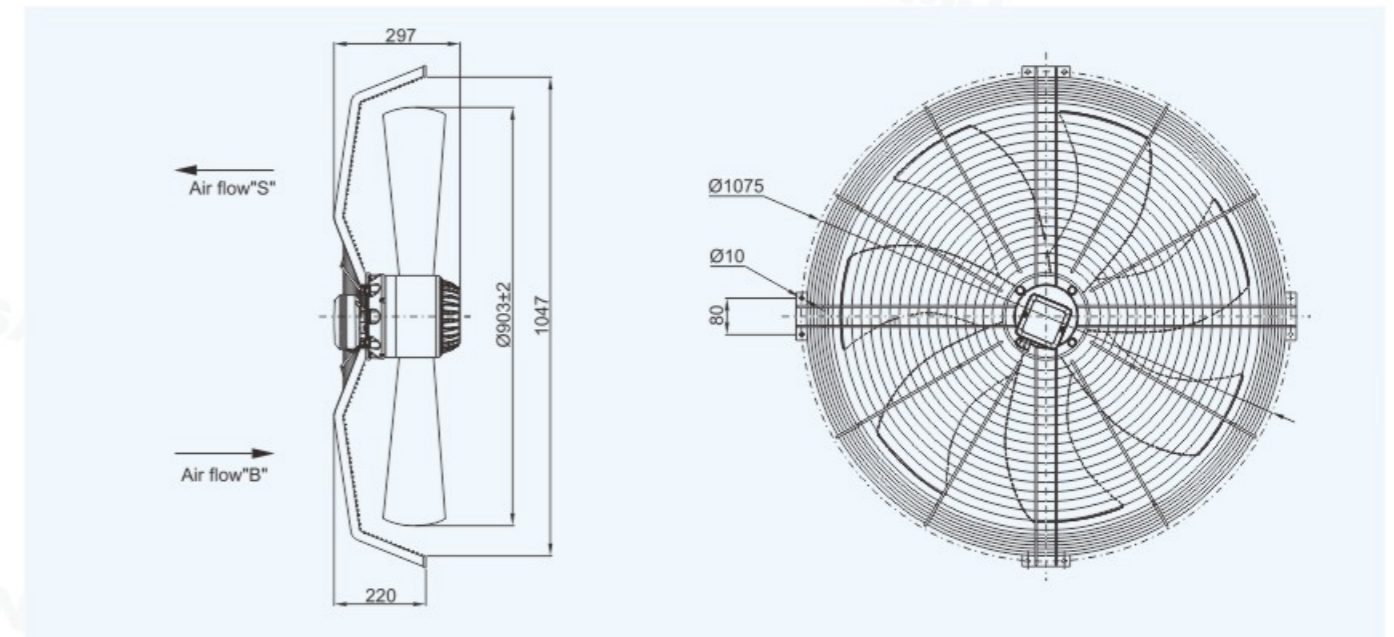
NO.	Pst (Pa)	Fre (Hz)	P1 (W)	I (A)
△	50	50	050	4.2
	235	50	2450	4.7
Y	60	50	1430	2.5
	120	50	1550	2.6

— △ — — Y



技术参数 Technical Parameter

型号 Model	电压 Voltage (VAC)	频率 Frequency (Hz)	输入功率 Input Power (W)	电流 Current (A)	风量 Air Volume (m³/h)	转速 Speed (r/min)	电容 Capacitor (μF)	噪音 Noise [dB(A)]	允许最高环境温度 Max Environmental Temperature (°C)	重量 Weight (Kg)
YWF(K)4D800-ZF	400	50	4000	7.0	30000	1380	/	88	80	58



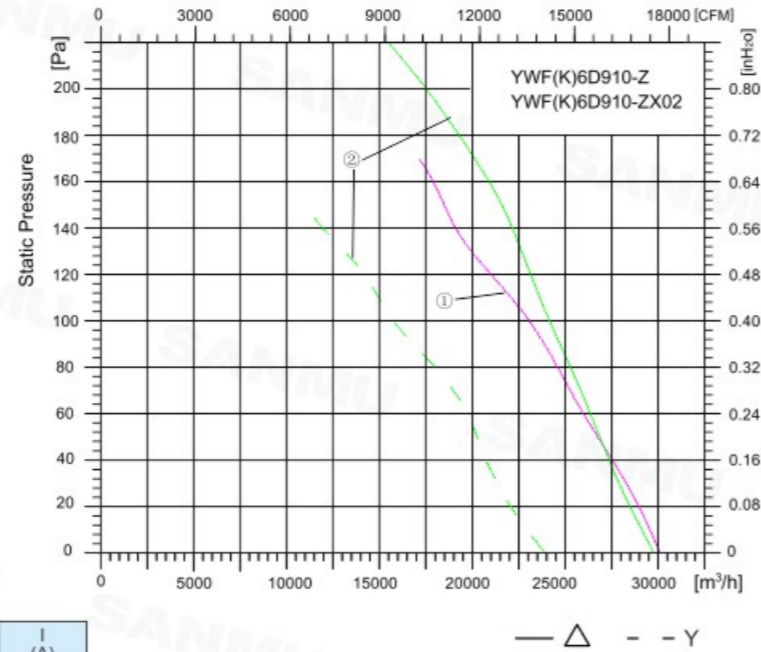
技术参数 Technical Parameter

型号 Model	电压 Voltage (VAC)	频率 Frequency (Hz)	输入功率 Input Power (W)	电流 Current (A)	风量 Air Volume (m³/h)	转速 Speed (r/min)	电容 Capacitor (μF)	噪音 Noise [dB(A)]	允许最高环境温度 Max Environmental Temperature (°C)	重量 Weight (Kg)
YWF(K)6D910-ZX04	400△/Y	50	2450/1550	4.7/2.6	25500/21000	870/670	/	82/75	50	38

φ910



Flow Rate Curve

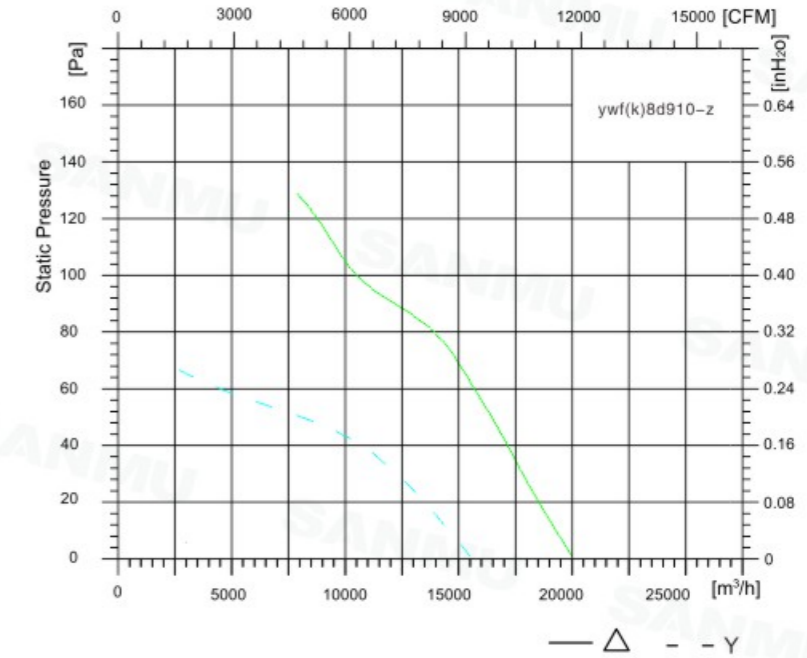


NO.	Pst (Pa)	Fre (Hz)	P1 (W)	I (A)
①	50	50	2855	4.97
	120	50	3100	5.4
②	50	60	2694	4.53
	150	60	3000	5.1
Y	20	60	1950	3.1
	120	60	2100	3.6

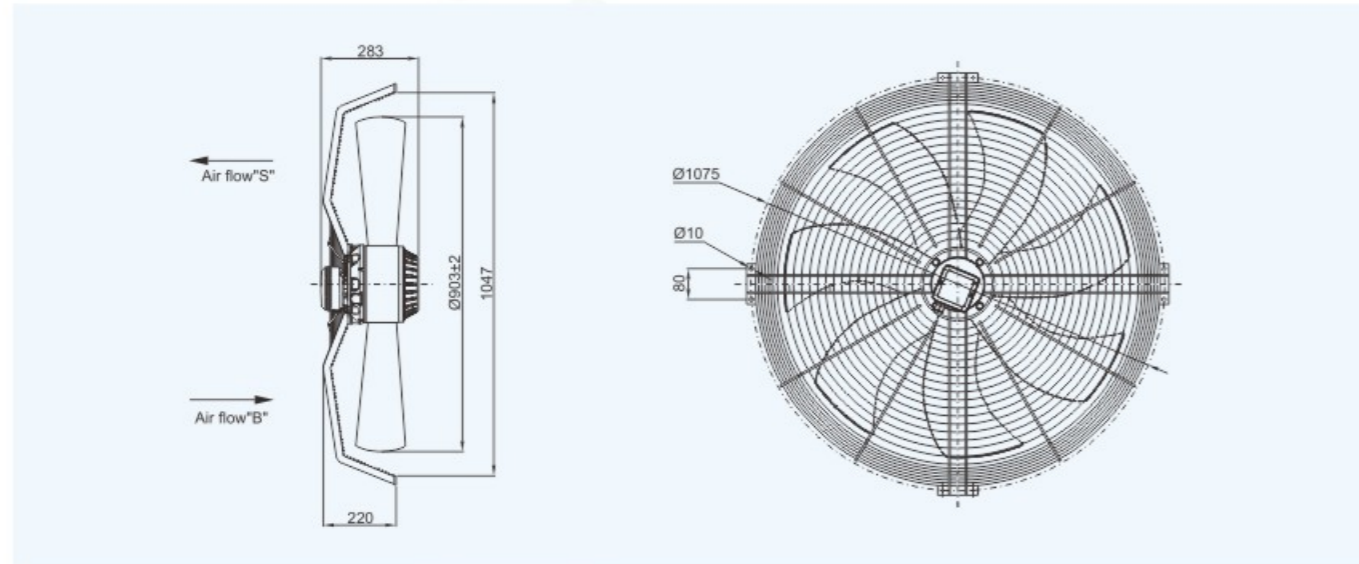
φ910



Flow Rate Curve

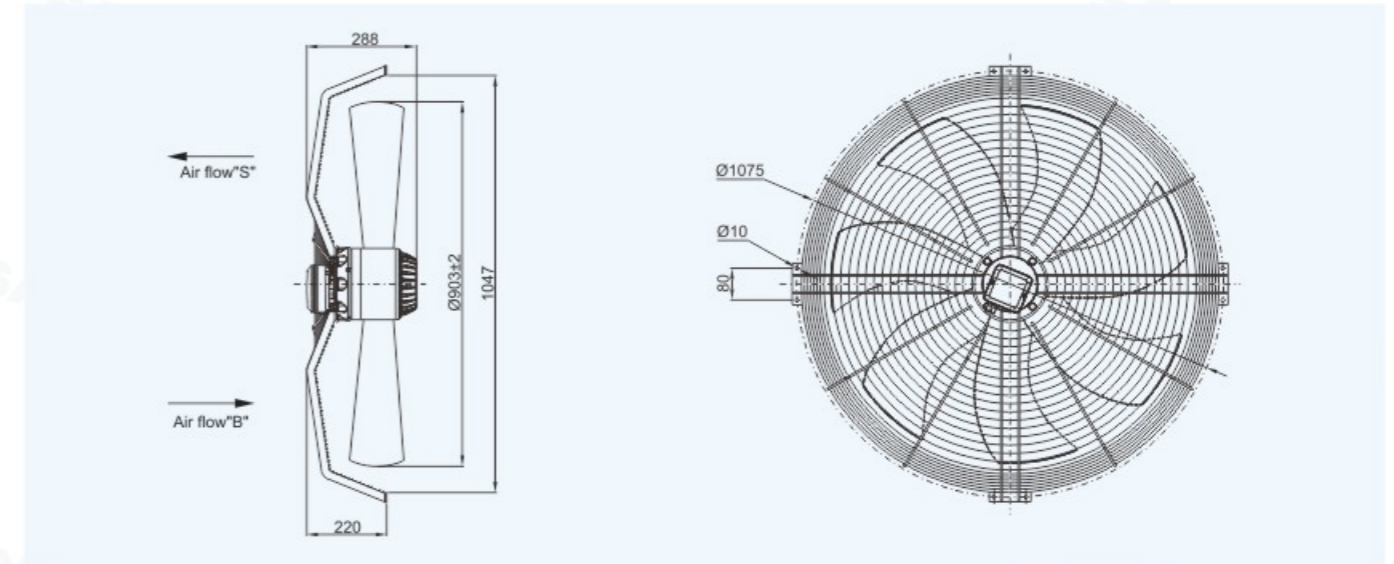


NO.	Pst (Pa)	Fre (Hz)	P1 (W)	I (A)
Δ	20	50	865	2.03
	80	50	994	2.16
Y	10	50	521	0.99
	50	50	580	1.10



技术参数 Technical Parameter

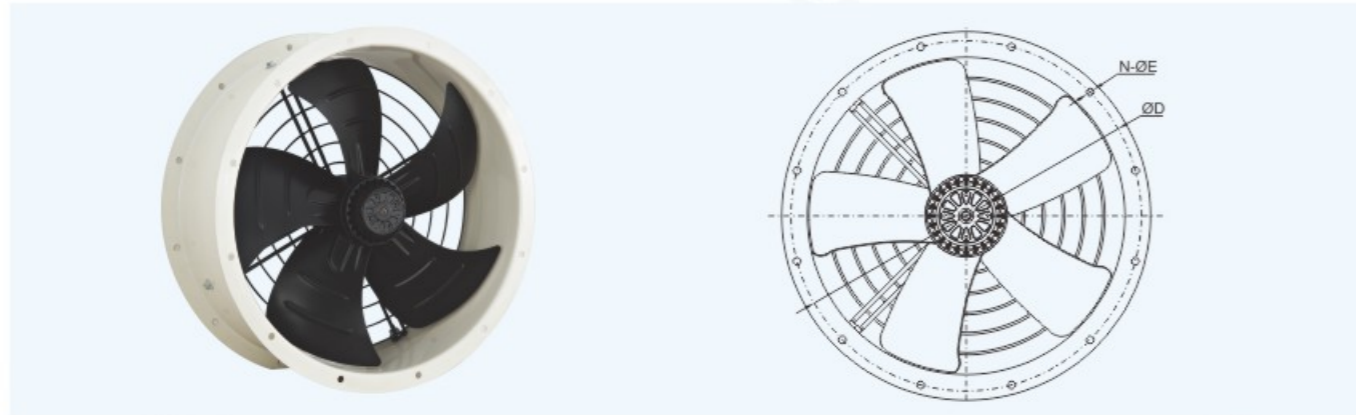
型号 Model	电压 Voltage (VAC)	频率 Frequency (Hz)	输入功率 Input Power (W)	电流 Current (A)	风量 Air Volume (m³/h)	转速 Speed (r/min)	电容 Capacitor (μF)	噪音 Noise [dB(A)]	允许最高环境温度 Max Environmental Temperature (°C)	重量 Weight (Kg)
YWF(K)6D910-Z	400	50	3100	5.4	30000	890	/	82	60	42
YWF(K)6D910-ZX02	400Δ/Y	60	3000/2000	5.1/3.4	29000/24000	1040/830	/	86/79	60	42



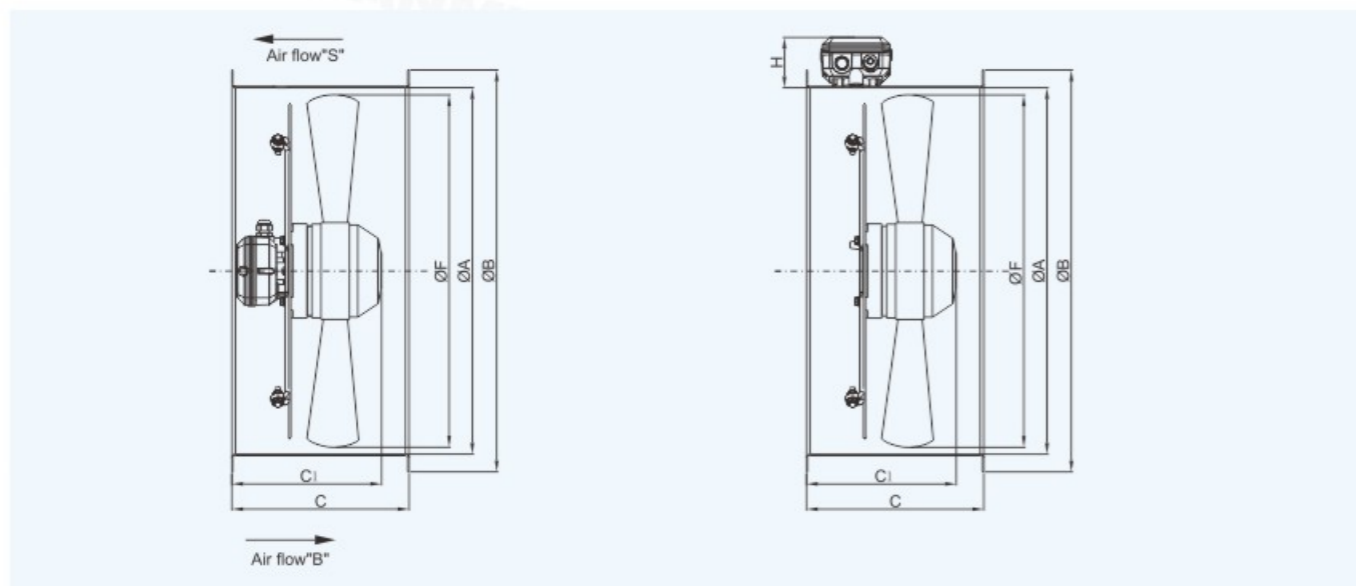
技术参数 Technical Parameter

型号 Model	电压 Voltage (VAC)	频率 Frequency (Hz)	输入功率 Input Power (W)	电流 Current (A)	风量 Air Volume (m³/h)	转速 Speed (r/min)	电容 Capacitor (μF)	噪音 Noise [dB(A)]	允许最高环境温度 Max Environmental Temperature (°C)	重量 Weight (Kg)
YWF(K)8D910-Z	400Δ/Y	50	1000/580	2.2/1.1	19500/15000	650/470	/	73/67	60	33.4

选配件一 Accessory 1
风筒系列 Wind tube series



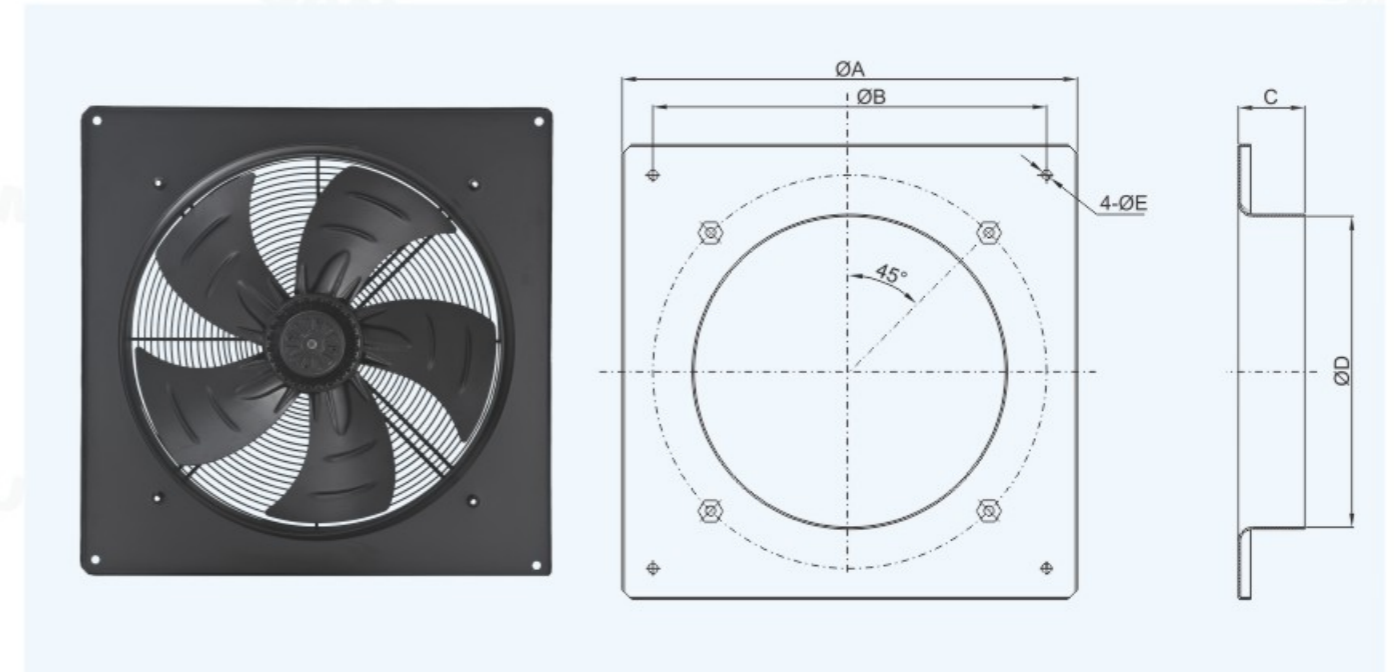
41



安装尺寸 Installation size

型号 Model	尺寸 Size	A	B	C	D	N-ØE	C1	F	H
YWF(K)200-Z	208	250	180	230	8-Ø7	138	195	52	
YWF(K)250-Z	257	310	180	285	8-Ø7	138	250	52	
YWF(K)300-Z	317	382	180	356	8-Ø9.5	138	300	52	
YWF(K)350-Z	359	421	180	395	8-Ø9.5	165	350	52	
YWF(K)400-Z	400	465	190	438	12-Ø9.5	178	391	52	
YWF(K)450-Z	460	515	190	487	12-Ø9.5	190	446	52	
YWF(K)500-Z	510	567	250	541	12-Ø9.5	191	499	71	
YWF(K)550-Z	565	635	250	605	16-Ø11.5	207	553	71	
YWF(K)630-Z	640	707	250	674	16-Ø11.5	227	628	71	

选配件二 Accessory 2
方盘系列 Square plate series

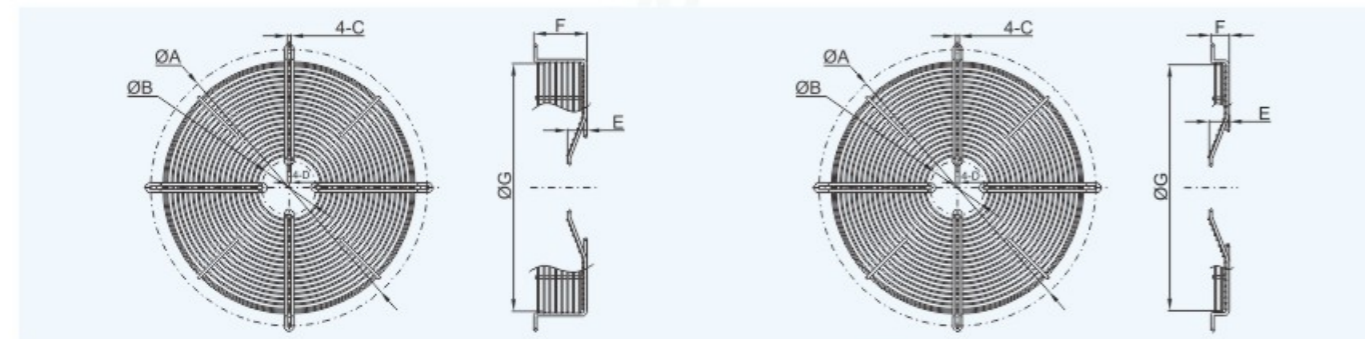


42

安装尺寸 Installation size

型号 Model	尺寸 Size	A	B	C	D	E
200	312	260	52	205	7	
250	370	320	55	260	7	
300	430	380	80	315	9	
350	485	435	85	360	9	
400	540	490	100	410	9	
450	575	535	100	460	11	
500	655	615	120	510	11	
550	725	675	135	560	11	
600	805	750	150	615	11	
630	805	750	150	644	11	
710	850	810	170	710	14.5	
800	970	910	210	795	14.5	
910	1070	1010	205	915	14.5	

选配件三 Accessory 3
网罩系列 Guard grille series

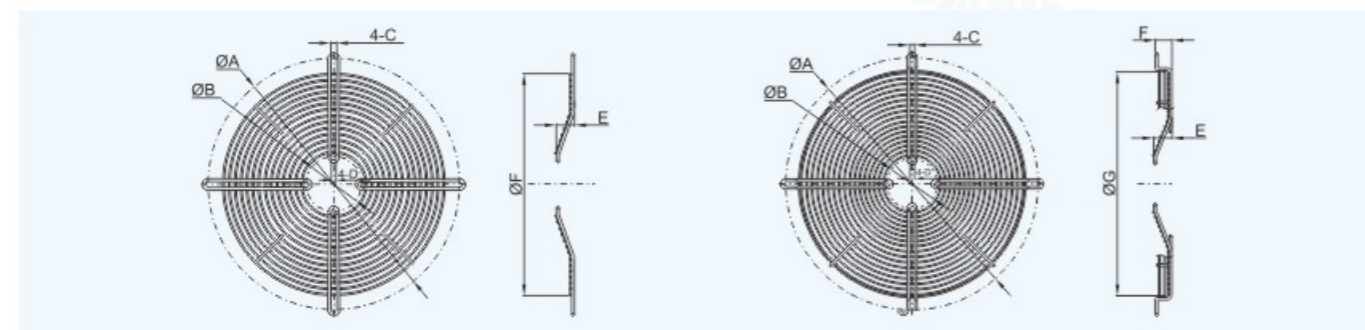


高凹网罩系列 High Concave Guard Grille

型号 Model	尺寸 Size	A	B	C	D	E	F	G
200	250	58	7	6	23.5	50	220	
250	320	58	7	6	18	75	282	
300	360	58	7	6	27	75	322	
2E/2D300	360	90	7	7	30	80	322	
350	422	90	9	7	30	80	375	
400	470	90	9	7	30	90	422	
450	522	90	9	7	30	90	475	
500	570	115	10	9	30	90	525	
550	624	115	10	9	30	100	575	
600	680	115	10	9	28	100	625	
630	750	115	10	9	35	100	658	
710	847	162	13	10.5	85	210	715	
800	961	162	13	10.5	90	226	800	

低凹网罩系列 Low Concave Guard Grille

型号 Model	尺寸 Size	A	B	C	D	E	F	G
250	320	58	7	6	20	30	275	
300	360	58	7	6	30	30	322	
350	422	90	9	7	30	40	375	
	422	90	9	7	30	30	375	
400	470	90	9	7	30	32	422	
420	502	90	9	7	34	30	443	
450	522	90	9	7	30	38	475	
	522	90	9	7	30	30	475	
500	567	115	10	9	30	30	525	
550	624	115	10	9	30	32	575	
630	737	115	10	9	35	32	657	
710	865	162	13	10.5	51	100	780	
800	961	162	13	10.5	90	90	800	



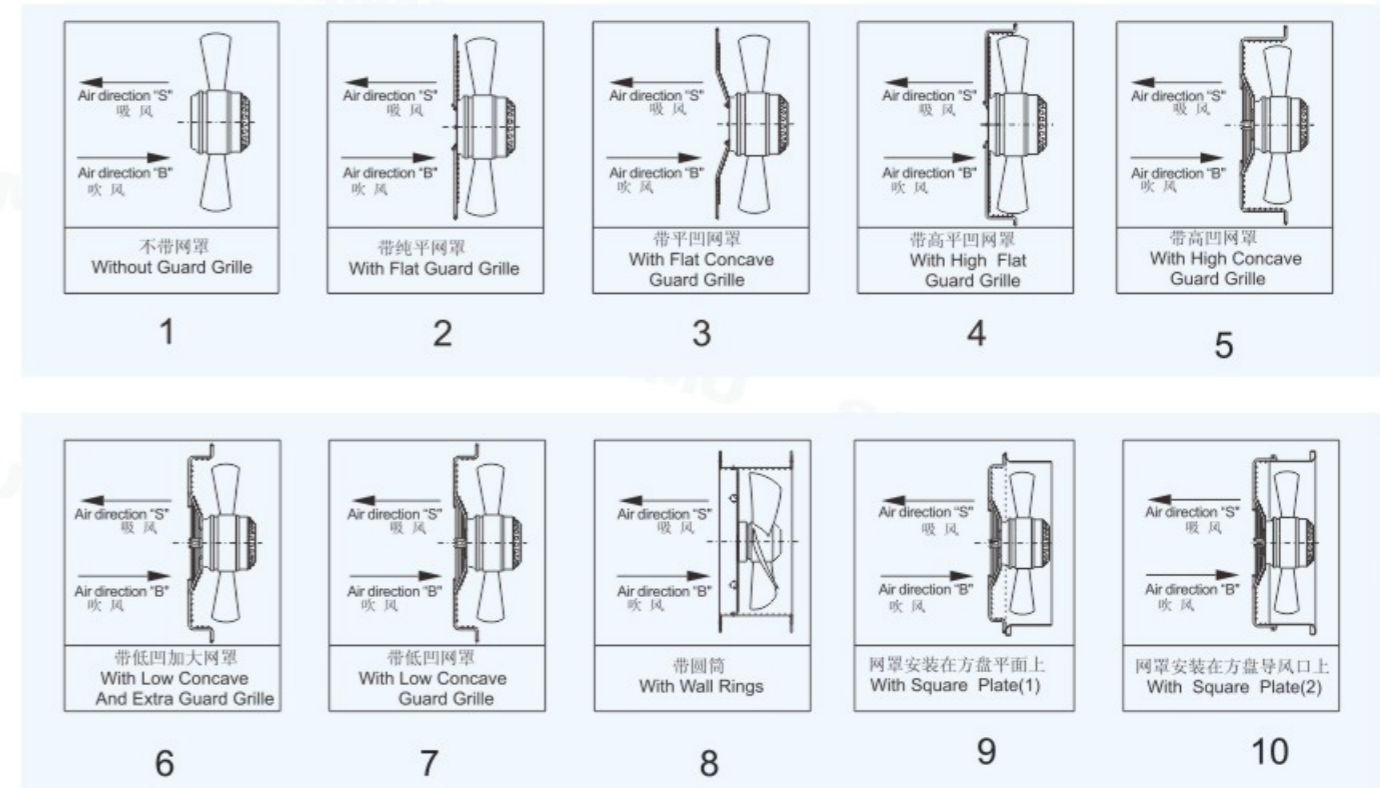
平凹网罩系列 Flat Concave Guard Grille

型号 Model	尺寸 Size	A	B	C	D	E	F
300	360	58	7	6	30	318	
350	422	90	9	7	30	370	
400	470	90	9	7	30	420	
450	522	90	9	7	30	470	
500	567	115	9	9	30	520	
550	624	115	10	9	30	570	
630	737	115	10	9	35	650	

低凹加大网罩系列 Low Concave And Extra Guard Grille

型号 Model	尺寸 Size	A	B	C	D	E	F	G
300	388	58	7	6	27	40	353	
350	440	90	9	7	33	40	395	
400	522	90	9	7	35	38	475	
450	576	90	9	7	35	40	530	
500	623	115	9	9	30	32	576	
550	675	115	9	9	30	32	634	
630	785	115	9	9	35	30	739	

YWF(K)系列轴流风机状态选择参考图
YWF(K) Series Axial Fan State Select Reference Drawing



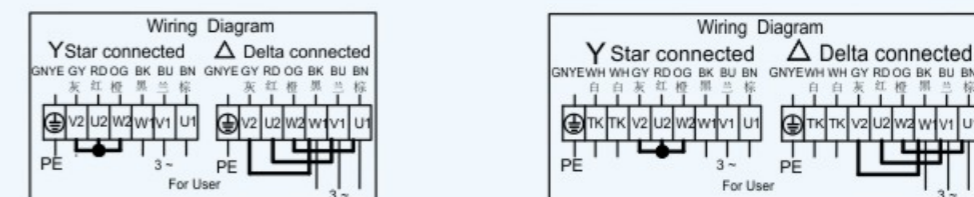
常用接线图 Common Wiring Diagram

一、单相接线图 Single-phase wiring diagram

二、三相四线接线图 Three phase four wire wiring diagram



三、三相六线接线图 Three phase six wire wiring diagram



车间掠影 Workshop environment



产品检测 Product testing



成功需要好的准备，
成功是一种付出的象征，
成功需要团队的共同努力……

Success requires good preparation,
Success is the symbol of a kind of pay.
Success calls for the joint efforts of the team...

企业资质 Enterprise qualification

